



Parts List

SANYO

File No.

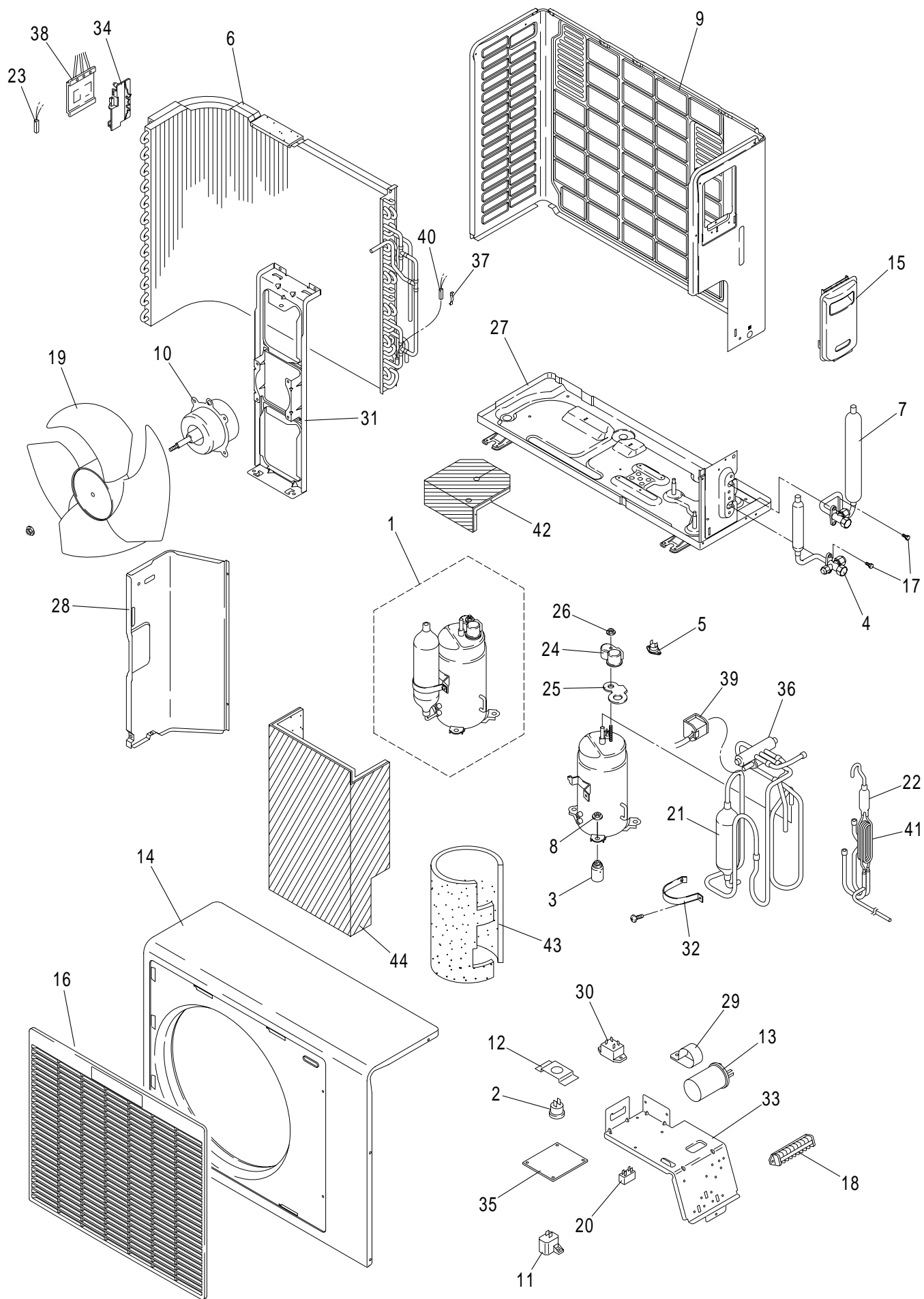
Air Conditioner

OUTDOOR UNIT
SAP-C121GHA/R

| Model No. | Prod.Code | Volt-Phase-Hertz |
|-----------------|--------------|------------------|
| SAP-C121GHA/R-S | 1 852 070 89 | 220-240-1-50 |



Большая библиотека технической документации
<http://splitoff.ru/tehn-doc.html>
каталоги, инструкции, сервисные мануалы, схемы.



ATTENTION !

To ensure correct parts supply, please let us know followings,
when you make service parts order:

1.Part No. 2.Description 3.Q'ty 4.Volts-Hz-Ph 5.Product Model No.

SAP-C121GHA/R
OUTDOOR UNIT

| Key No. | Part No. | Description | Q'ty | Reference No. |
|---------|--------------|-----------------------------------|------|------------------|
| * 1 | 623 151 2671 | Compressor Ass'y | 1 | 852-0-4516-35500 |
| * 2 | 626 100 1091 | Relay MRA98596-9201 | 1 | 4-2329-69144 |
| 3 | 623 035 0212 | Cushion Rubber | 3 | 851-2-2390-15500 |
| 4 | 623 151 2664 | Valve Ass'y 1/2 in. | 1 | 852-0-4501-93000 |
| * 5 | 623 097 8898 | Thermostat CS-7C115 | 1 | 4-2339-60026 |
| 6 | 623 156 4373 | Condenser Ass'y | 1 | 85S-0-4102-02500 |
| 7 | 623 151 7669 | Valve Ass'y 1/4 in. | 1 | 852-0-4501-98200 |
| 8 | 623 029 6497 | Nut Special Ass'y | 3 | 851-0-2395-10201 |
| 9 | 623 156 3475 | Rear Panel | 1 | 852-2-1120-25502 |
| * 10 | 623 156 3505 | Fan Motor UE6S-21AC5P-S | 1 | 525-0-0000-87605 |
| * 11 | 626 100 0049 | Thermistor TDK 101YV | 1 | 4-2049-60102 |
| 12 | 623 145 9846 | Mounting | 1 | 851-2-2340-10410 |
| * 13 | 623 092 7711 | Fixed Capacitor PMT 400V/25MF | 1 | 4-2239-56379 |
| 14 | 623 156 4380 | Cabinet Ass'y | 1 | 85S-0-1101-00200 |
| 15 | 623 156 3451 | Cover Plate Ass'y | 1 | 85S-0-5302-00200 |
| 16 | 623 156 3444 | Guard Ass'y | 1 | 85S-0-1111-00100 |
| 17 | 623 090 6907 | Deltite Screw | 4 | 3-9201-61601 |
| 18 | 623 151 3425 | Terminal Base OPSA-20-9P | 1 | 1FA-4-J3A0-08600 |
| 19 | 623 150 7349 | Propeller Fan | 1 | 852-2-2502-14001 |
| * 20 | 623 001 1618 | Fixed Capacitor UPMDD-440V//1.5MF | 1 | 4-2239-56158 |
| 21 | 623 118 2553 | Accumulator Ass'y | 1 | 852-0-4511-19700 |
| 22 | 623 146 6226 | Strainer Ass'y | 1 | 852-0-4506-19000 |
| * 23 | 623 155 5630 | Thermostat Other TRS02-M13MSR436 | 1 | 1FA-4-S4Z0-00800 |
| 24 | 626 040 0765 | Cover Terminal | 1 | 801-2-6194-13300 |
| 25 | 623 117 6606 | Gasket Terminal | 1 | 801-2-5303-14700 |
| 26 | 626 040 0888 | Nut 5mm | 1 | 801-2-8305-10100 |
| 27 | 623 157 0176 | Bottom Plate Ass'y | 1 | 852-0-2202-69602 |
| 28 | 623 151 2718 | Partition Plate Ass'y | 1 | 852-0-2209-25700 |
| 29 | 623 054 8022 | Clip, Capacitor | 1 | 852-2-5301-21201 |
| * 30 | 623 002 4762 | Relay DFU24D1-F(M) | 1 | 4-2329-56282 |
| 31 | 623 151 2756 | Mounting Plate, Fan Motor | 1 | 852-2-2354-22411 |
| 32 | 623 034 9452 | Band Mounting | 1 | 851-2-2356-16901 |
| 33 | 623 151 2732 | Elec. Component Box | 1 | 852-2-5307-56501 |
| 34 | 623 151 1209 | Mounting Thermostat | 1 | 852-2-5303-22600 |
| * 35 | 623 136 9411 | P.C.B. Ass'y POW-C186GH | 1 | 851-0-5172-29800 |
| 36 | 623 146 3836 | Solenoid Valve Ass'y | 1 | 852-0-4509-13200 |
| 37 | 623 054 8640 | Mounting Thermostat | 1 | 852-2-5303-14900 |
| * 38 | 623 002 9019 | Thermostat MQT5S | 1 | 4-2339-56155 |
| 39 | 623 151 3432 | Magnetic Coil LB81012 | 1 | 1FA-4-L8A0-02300 |
| * 40 | 623 002 9149 | Thermostat TRS02-12MSR | 1 | 4-2339-56176 |
| 41 | 623 152 4155 | Capillary Tube OD3 ID1.2 L800 | 2 | 852-2-4268-23500 |
| 42 | 623 154 3019 | Insulation | 1 | 852-2-2476-50300 |
| 43 | 623 053 0812 | Insulation | 1 | 852-2-2476-20900 |
| 44 | 623 154 3026 | Insulation | 1 | 852-2-2476-48800 |

NOTE: Metal and plastic parts will be supplied basically with necessary heat insulation pads or packing. Each key number with an asterisk (*) means the recommended service parts.



SANYO

SANYO Electric Co.,Ltd
Osaka, Japan
10/00 Printed in Japan

Большая библиотека технической документации
<http://splitoff.ru/tehn-doc.html>
каталоги, инструкции, сервисные мануалы, схемы.