

MHI

**TECHNICAL MANUAL
& PARTS LIST**

DRAFT

INVERTER MULTI-SPLIT SYSTEM ROOM AIR-CONDITIONER (Air to air heat pump type)

(Outdoor unit)

SCM45ZD-S

SCM60ZD-S

SCM80ZD-S

(Indoor unit)

SKM22ZD-S

SKM25ZD-S

SKM28ZD-S

SKM35ZD-S

SKM50ZD-S

STM25ZE-S

STM35ZE-S

STM50ZE-S

STM60ZE-S

SRRM25ZE-S

SRRM35ZE-S

SRRM50ZE-S

SRRM60ZE-S

 **MITSUBISHI HEAVY INDUSTRIES, LTD**



Большая библиотека технической документации
<http://splitoff.ru/tehn-doc.html>
каталоги, инструкции, сервисные мануалы, схемы.

INDOOR UNIT

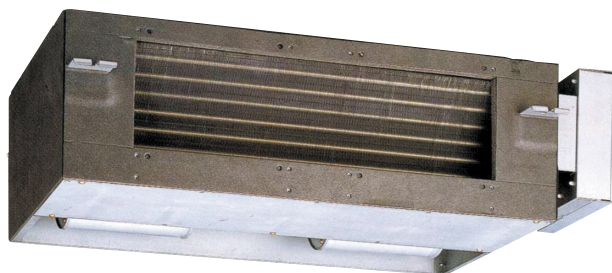
**Models SKM22ZD-S, SKM25ZD-S, SKM28ZD-S, SKM35ZD-S,
SKM50ZD-S**



Models STM25ZE-S, STM35ZE-S, STM50ZE-S, STM60ZE-S

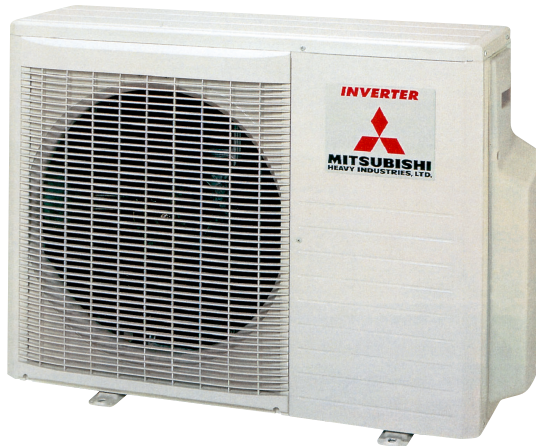


Models SRRM25ZE-S, SRRM35ZE-S, SRRM50ZE-S, SRRM60ZE-S

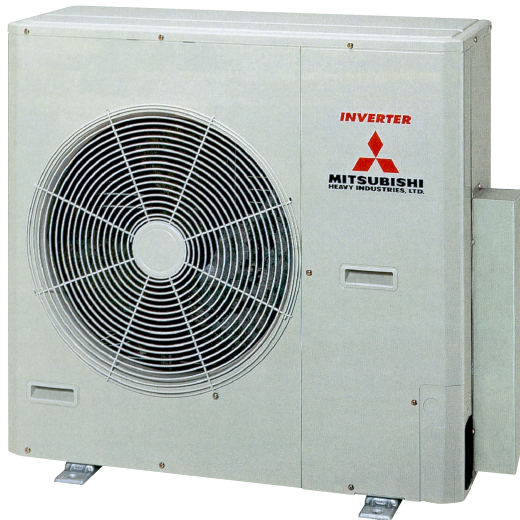


OUTDOOR UNIT

Models SCM45ZD-S, SCM60ZD-S



Model SCM80ZD-S



REMOTE CONTROLLER



1 GENERAL INFORMATION

1.1 Specific features

(1) The long piping makes the location of the inside and units flexible.

- No need for additional charge of refrigerant : 45 type · 20m, 60 type · 30m, 80 type · 40m
- Maximum piping length : 45 type · 30m, 60 type · 40m, 80 type · 60m

(2) Connectable indoor capacity

Number of connectable units : 45 type · 2 units, 60 type · 3 units, 80 type · 4 units

Total of indoor units (class kW) : 45 type · 7.0kw, 60 type · 10.6kw, 80 type · 13.4kw

(3) Indoor units are available with 5 capacities.

5 capacities 22, 25, 28, 35, 50, 60

Types Wall mounted type (SKM).

4-way ceiling cassette type (STM).

Ducted type (SRRM).

(4) Inverter (Frequency converter) for multi-steps power control

- Heating / Cooling

The rotational speed of a compressor is changed in step in relation to varying load, to interlock with the indoor and outdoor unit fans controlled to changes in frequency, thus controlling the power.

- Allowing quick heating/cooling operation during start-up period. Constant room temperature by fine-tuned control after the unit has stabilized.

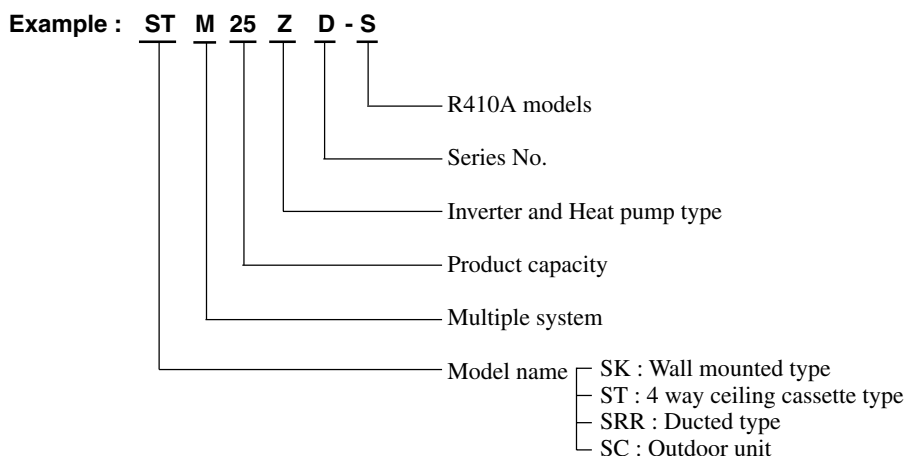
(5) Fuzzy control

Fuzzy control calculates the amount of variation in the difference between the suction air temperature and the setting temperature in compliance with the fuzzy rules in order to control the air capacity and the inverter frequency.

(6) Self diagnosis function

We are constantly trying to do better service to our customers by installing such judges that show abnormality of operation as follows.

1.2 How to read the model name



2 SELECTION DATA

2.1 Specifications

(1) Indoor unit

Models SKM22ZD-S, 25ZD-S, 28ZD-S, 35ZD-S

| Item | | Models | | SKM22ZD-S | SKM25ZD-S | SKM28ZD-S | SKM35ZD-S |
|-----------------------------------------------|---------------------------|-------------|-------------------------------------|--------------------------------------------------------------------------------------------------------|-----------|-------------------------|-------------------------|
| | | W | | | | | |
| Cooling capacity | | W | | 2200 | 2500 | 2800 | 3500 |
| Heating capacity | | W | | 3200 | 3400 | 4000 | 4500 |
| Noise level | Cooling | Sound level | dB | Hi : 37 Me : 30 Lo : 23 | | Hi : 38 Me : 31 Lo : 24 | Hi : 39 Me : 32 Lo : 25 |
| | | Power level | | Hi : 53 | | Hi : 54 | Hi : 55 |
| | Heating | Sound level | | Hi : 39 Me : 33 Lo : 27 | | Hi : 40 Me : 34 Lo : 28 | Hi : 41 Me : 35 Lo : 29 |
| | | Power level | | Hi : 55 | | Hi : 56 | Hi : 57 |
| Exterior dimensions Height × Width × Depth | | mm | | 250 × 815 × 249 | | | |
| Color | | | | Cool white | | | |
| Net weight | | kg | | 9.0 | | | |
| Air handling equipment Fan type & Q'ty | | | | Tangential fan × 1 | | | |
| Motor | | W | | 16 | | | |
| Air flow (at high) | Cooling | CMM | | 8.0 | 8.2 | 8.4 | |
| | Heating | | | 8.7 | 9.0 | 9.2 | |
| Air filter, Q'ty | | | | Polypropylene net × 2 (Washable) | | | |
| Operation switch | | | | Wireless-Remote controller | | | |
| Room temperature control | | | | M.C thermostat | | | |
| Pilot lamp | | | | RUN (Green), TIMER (Yellow), HI POWER (Green), ECONO (Orange) | | | |
| Safety equipment | | | | Frost protection, Serial error protection Fan motor error protection | | | |
| Refrigerant piping | O.D | Liquid line | mm (in) | φ 6.35 (1/4") | | | |
| | | Gas line | | φ 9.52 (3/8") | | | |
| | Connecting method | | | Flare connecting | | | |
| | Attached length of piping | | | Liquid line : 0.4m Gas line : 0.33m | | | |
| Insulation | | | Necessary (Both Liquid & Gas lines) | | | | |
| Drain hose | | | | Connectable | | | |
| Accessories (including) | | | | Mounting kit, Clean filter (Natural enzyme filter × 1, Photocatalytic washable deodorizing filter × 1) | | | |
| Optional parts | | | | — | | | |
| Outdoor units to be combined | | | | SCM45ZD-S, SCM60ZD-S, SCM80ZD-S | | | |

Notes (1) The data are measured at the following conditions.

| Operation | Item | Indoor air temperature | | Outdoor air temperature | | Standards |
|-----------|------|------------------------|------|-------------------------|------|-------------------|
| | | DB | WB | DB | WB | |
| Cooling | | 27°C | 19°C | 35°C | 24°C | ISO-T1, JIS C9612 |
| Heating | | 20°C | — | 7°C | 6°C | ISO-T1, JIS C9612 |

(2) Capacity indicated is the rated capacity with one unit operating under ISO-T1 standards conditions.

Model SKM50ZD-S

| Item | | Models | | SKM50ZD-S | |
|-----------------------------------------------|---------------------------|-------------|-------------------------------------|--------------------------------------------------------------------------------------------------------|--|
| | | W | | | |
| Cooling capacity | | W | | 5000 | |
| Heating capacity | | W | | 5800 | |
| Noise level | Cooling | Sound level | dB | Hi : 47 Me : 36 Lo : 23 | |
| | | Power level | | Hi : 62 | |
| | Heating | Sound level | | Hi : 48 Me : 37 Lo : 27 | |
| | | Power level | | Hi : 63 | |
| Exterior dimensions Height × Width × Depth | | mm | | 250 × 815 × 249 | |
| Color | | | | Cool white | |
| Net weight | | kg | | 9.5 | |
| Air handling equipment Fan type & Q'ty | | | | Tangential fan × 1 | |
| Motor | | W | | 29 | |
| Air flow (at high) | Cooling | CMM | | 11 | |
| | Heating | | | 13.9 | |
| Air filter, Q'ty | | | | Polypropylene net × 2 (Washable) | |
| Operation switch | | | | Wireless-Remote controller | |
| Room temperature control | | | | M.C thermostat | |
| Pilot lamp | | | | RUN (Green), TIMER (Yellow), HI POWER (Green), ECONO (Orange) | |
| Safety equipment | | | | Frost protection, Serial error protection Fan motor error protection | |
| Refrigerant piping | O.D. | Liquid line | mm (in) | φ 6.35 (1/4") | |
| | | Gas line | | φ 12.7 (1/2") | |
| | Connecting method | | | Flare connecting | |
| | Attached length of piping | | | Liquid line : 0.4m Gas line : 0.33m | |
| Insulation | | | Necessary (Both Liquid & Gas lines) | | |
| Drain hose | | | | Connectable | |
| Accessories (including) | | | | Mounting kit, Clean filter (Natural enzyme filter × 1, Photocatalytic washable deodorizing filter × 1) | |
| Optional parts | | | | — | |
| Outdoor units to be combined | | | | SCM60ZD-S, SCM80ZD-S | |

Notes (1) The data are measured at the following conditions.

| Operation | Item | Indoor air temperature | | Outdoor air temperature | | Standards |
|-----------|------|------------------------|------|-------------------------|------|-------------------|
| | | DB | WB | DB | WB | |
| Cooling | | 27°C | 19°C | 35°C | 24°C | ISO-T1, JIS C9612 |
| Heating | | 20°C | — | 7°C | 6°C | ISO-T1, JIS C9612 |

(2) Capacity indicated is the rated capacity with one unit operating under ISO-T1 standards conditions.

Models STM25ZE-S, 35ZE-S, 50ZE-S, 60ZE-S

| Item | | Models | | STM25ZE-S | STM35ZE-S | STM50ZE-S | STM60ZE-S |
|------------------------------|---------------------------|-------------|---------|-------------------------------------------------------------------------------------------------|-----------|----------------------|-----------|
| | | W | | | | | |
| Cooling capacity | | W | | 2500 | 3500 | 5000 | 6000 |
| Heating capacity | | W | | 3400 | 4500 | 5800 | 6800 |
| Noise level | Cooling | Sound level | dB | 35 | 38 | 40 | 47 |
| | | Power level | | | | | |
| | Heating | Sound level | | 35 | 38 | 40 | 47 |
| | | Power level | | | | | |
| Exterior dimensions | | Main unit | mm | 248 × 570 × 570 | | | |
| Height × Width × Depth | | Panel | | 35 × 700 × 700 | | | |
| Color | | | | — | | | |
| Net weight | Main unit | kg | | 14 | | 14.5 | |
| | Panel | | | 3.5 | | | |
| Air handling equipment | | | | Turbo fan × 1 | | | |
| Fan type & Q'ty | | | | | | | |
| Motor | | W | | | | | |
| Air flow (at high) | Cooling | CMM | | 7.7 | 8.5 | 9.4 | 13.0 |
| | Heating | | | 9.5 | 10.0 | 11.0 | 14.0 |
| Air filter, Q'ty | | | | Long life filter × 1 (Washable) | | | |
| Operation switch | | | | Wireless-Remote controller | | | |
| Room temperature control | | | | M.C thermostat | | | |
| Pilot lamp | | | | RUN (Green), TIMER (Yellow), HI POWER (Green), ECONO (Orange) | | | |
| Safety equipment | | | | Frost protection, Serial error protection Fan motor error protection, Drain error protection | | | |
| Refrigerant piping | O.D | Liquid line | mm (in) | φ 6.35 (1/4") | | | |
| | | Gas line | | φ 9.52 (3/8") | | φ 12.7 (1/2") | |
| | Connecting method | | | Flare connecting | | | |
| | Attached length of piping | | | — | | | |
| Insulation | | | | Necessary (Both Liquid & Gas lines) | | | |
| Drain hose | | | | Connectable | | | |
| Accessories (including) | | | | Mounting kit | | | |
| Optional parts | | | | Wired remote controller | | | |
| Outdoor units to be combined | | | | SCM45ZD-S, SCM60ZD-S, SCM80ZD-S | | SCM60ZD-S, SCM80ZD-S | |

Notes (1) The data are measured at the following conditions.

| Operation | Item | Indoor air temperature | | Outdoor air temperature | | Standards |
|-----------|------|------------------------|------|-------------------------|------|-------------------|
| | | DB | WB | DB | WB | |
| Cooling | | 27°C | 19°C | 35°C | 24°C | ISO-T1, JIS C9612 |
| Heating | | 20°C | — | 7°C | 6°C | ISO-T1, JIS C9612 |

(2) Capacity indicated is the rated capacity with one unit operating under ISO-T1 standards conditions.

Models SRRM25ZE-S, 35ZE-S, 50ZE-S, 60ZE-S

| Item | | Models | | SRRM25ZE-S | SRRM35ZE-S | SRRM50ZE-S | SRRM60ZE-S |
|-----------------------------------------------|---------------------------|-------------|-------------------------------------|-------------------------------------------------------------------------------------------------|------------|----------------------|------------|
| | | W | | | | | |
| Cooling capacity | | W | | 2500 | 3500 | 5000 | 6000 |
| Heating capacity | | W | | 3400 | 4500 | 5800 | 6800 |
| Noise level | Cooling | Sound level | dB | 38 | 40 | 46 | 49 |
| | | Power level | | | | | |
| | Heating | Sound level | | 39 | 41 | 46 | 49 |
| | | Power level | | | | | |
| Exterior dimensions Height × Width × Depth | | mm | | 230 × 740 × 455 | | | |
| Color | | | | — | | | |
| Net weight | | kg | | 22.0 | | 23.0 | |
| Air handling equipment Fan type & Q'ty | | | | Centrifugal fan × 2 | | | |
| Motor | | W | | | | | |
| Air flow (at high) | Cooling | CMM | | 7.6 | 7.8 | 9.6 | 11.4 |
| | Heating | | | 9.9 | 10.7 | 13.2 | 15.2 |
| Air filter, Q'ty | | | | PVC net × 1 | | | |
| Operation switch | | | | Wireless-Remote controller | | | |
| Room temperature control | | | | M.C thermostat | | | |
| Pilot lamp | | | | RUN (Green), TIMER (Yellow), HI POWER (Green), ECONO (Orange) | | | |
| Safety equipment | | | | Frost protection, Serial error protection Fan motor error protection, Drain error protection | | | |
| Refrigerant piping | O.D | Liquid line | mm (in) | φ 6.35 (1/4") | | | |
| | | Gas line | | φ 9.52 (3/8") | | φ 12.7 (1/2") | |
| | Connecting method | | | Flare connecting | | | |
| | Attached length of piping | | | — | | | |
| Insulation | | | Necessary (Both Liquid & Gas lines) | | | | |
| Drain hose | | | | Connectable | | | |
| Accessories (including) | | | | Mounting kit | | | |
| Optional parts | | | | Wired remote controller | | | |
| Outdoor units to be combined | | | | SCM45ZD-S, SCM60ZD-S, SCM80ZD-S | | SCM60ZD-S, SCM80ZD-S | |

Notes (1) The data are measured at the following conditions.

| Operation | Item | Indoor air temperature | | Outdoor air temperature | | Standards |
|-----------|------|------------------------|------|-------------------------|------|-------------------|
| | | DB | WB | DB | WB | |
| Cooling | | 27°C | 19°C | 35°C | 24°C | ISO-T1, JIS C9612 |
| Heating | | 20°C | — | 7°C | 6°C | ISO-T1, JIS C9612 |

(2) Capacity indicated is the rated capacity with one unit operating under ISO-T1 standards conditions.

(2) Outdoor unit

Model SCM45ZD-S

| Item | | Model | SCM45ZD-S |
|-------------------------------------------------|------------------------|---------|------------------------------------------------------------------------------------------|
| Cooling capacity | | W | 4500 (700 ~ 5600) |
| Heating capacity | | W | 5600 (700 ~ 6800) |
| Power source | | | 1 Phase 220/230/240V 50Hz |
| Power consumption | Cooling | W | 1390 (200 ~ 2160) |
| | Heating | | 1540 (200 ~ 2340) |
| Running current | Cooling | A | 6.4/6.1/5.9 |
| | Heating | | 7.1/6.8/6.5 |
| Noise level | Sound level | dB | Cooling : 45/45/47 Heating : 47/47/49 |
| | Power level | | Cooling : 60/60/62 Heating : 62/62/64 |
| Exterior dimensions Height × Width × Depth | | mm | 640 × 850 × 290 |
| Color | | | Stucco white |
| Net weight | | kg | 44 |
| Refrigerant equipment Compressor type & Q'ty | | | 5CS102XFD [Scroll] × 1 |
| Motor | | kW | 0.7 |
| Starting method | | | Direct start |
| Refrigerant control | | | Capillary tubes + Electric expansion valve |
| Refrigerant | | kg | R410A 1.6 (Pre-charged up to the piping length of 20m) |
| Refrigerant oil | | ℓ | 0.48 (RB68A) |
| Air handling equipment Fan type & Q'ty | | | Propeller fan × 1 |
| Motor | | W | 35 |
| Air flow (at high) | | CMM | 40 |
| Shock & vibration absorber | | | Rubber (for compressor) |
| Safety equipment | | | Compressor overheat protection, Overcurrent protection Serial signal error protection |
| Refrigerant piping | Size × Core × Number | mm (in) | Liquid line: φ 6.35 (1/4") × 2 Gas line: φ 9.52 (3/8") × 2 |
| | Connecting method | | Flare connecting |
| | Attached length piping | | — |
| | Insulation | | Necessary (Both Liquid & Gas lines) |
| Power source supply | | | Terminal block (Screw fixing type) |
| Conne- ction wiring | Size × Core number | | 1.5 mm ² × 4 cores (Including earth cable) × 2 |
| | Connecting method | | Terminal block (Screw fixing type) |
| Accessories (included) | | | Installation sheet, Manual instruction |
| Indoor units to be combined | | | SKM22, 25, 28, 35 type, STM25, 35 type, SRRM25, 35 type |

Notes (1) The data are measured at the following conditions.

| Operation | Item | Indoor air temperature | | Outdoor air temperature | | Standards |
|-----------|------|------------------------|------|-------------------------|------|-------------------|
| | | DB | WB | DB | WB | |
| Cooling | | 27°C | 19°C | 35°C | 24°C | ISO-T1, JIS C9612 |
| Heating | | 20°C | — | 7°C | 6°C | ISO-T1, JIS C9612 |

(2) The values for capacity and power consumption shown in a range () indicate the minimum and maximum of the range.

(3) If the piping length exceeds 20 m, additional charging is required. (20g/m)

Model SCM60ZD-S

| Item | | Model | SCM60ZD-S |
|-------------------------------------------------|------------------------|---------|------------------------------------------------------------------------------------------|
| Cooling capacity | | W | 6000 (1400~6900) |
| Heating capacity | | W | 7000 (750~7200) |
| Power source | | | 1 Phase 220/230/240V 50Hz |
| Power consumption | Cooling | W | 1860 (400~3000) |
| | Heating | | 1740 (320~2700) |
| Running current | Cooling | A | 8.5/8.2/7.8 |
| | Heating | | 8.0/7.6/7.3 |
| Noise level | Sound level | dB | Cooling : 48/48/50 Heating : 50/50/52 |
| | Power level | | Cooling : 63/63/65 Heating : 65/65/67 |
| Exterior dimensions Height × Width × Depth | | mm | 640 × 850 × 290 |
| Color | | | Stucco white |
| Net weight | | kg | 51 |
| Refrigerant equipment Compressor type & Q'ty | | | TNB220FLBM1 [Twin rotary type] × 1 |
| Motor | | kW | 1.3 |
| Starting method | | | Direct start |
| Refrigerant control | | | Capillary tubes + Electronic expansion valve |
| Refrigerant | | kg | R410A 2.2 (Pre-charged up to the piping length of 30m) |
| Refrigerant oil | | ℓ | 0.67 (MEL56) |
| Air handling equipment Fan type & Q'ty | | | Propeller fan × 1 |
| Motor | | W | 45 |
| Air flow (at high) | | CMM | 42 |
| Shock & vibration absorber | | | Rubber (for compressor) |
| Safety equipment | | | Compressor overheat protection, Overcurrent protection Serial signal error protection |
| Refrigerant piping | Size × Core × Number | mm (in) | Liquid line: φ 6.35 (1/4") × 3 |
| | | | Gas line: φ 9.52 (3/8") × 3 |
| | Connecting method | | Flare connecting |
| | Attached length piping | | — |
| Insulation | | | Necessary (Both Liquid & Gas lines) |
| Power source supply | | | Terminal block (Screw fixing type) |
| Connection wiring | Size × Core number | | 1.5 mm ² × 4 cores (Including earth cable) × 3 |
| | Connecting method | | Terminal block (Screw fixing type) |
| Accessories (included) | | | Union : (φ 9.52 → φ 12.7) × 2 Installation sheet, Manual instruction |
| Indoor units to be combined | | | SKM22, 25, 28, 35, 50 type STM25, 35, 50, 60 type SRRM25, 35, 50, 60 type |

Notes (1) The data are measured at the following conditions.

| Operation | Item | Indoor air temperature | | Outdoor air temperature | | Standards |
|-----------|------|------------------------|------|-------------------------|------|-------------------|
| | | DB | WB | DB | WB | |
| Cooling | | 27°C | 19°C | 35°C | 24°C | ISO-T1, JIS C9612 |
| Heating | | 20°C | — | 7°C | 6°C | ISO-T1, JIS C9612 |

(2) The values for capacity and power consumption shown in a range () indicate the minimum and maximum of the range.

(3) If the piping length exceeds 30 m, additional charging is required. (20g/m)

Model SCM80ZD-S

| Item | | Model | SCM80ZD-S |
|-------------------------------------------------|------------------------|---------|------------------------------------------------------------------------------------------|
| Cooling capacity | | W | 8000 (1000~9300) |
| Heating capacity | | W | 9500 (850~9700) |
| Power source | | | 1 Phase 220/230/240V 50Hz |
| Power consumption | Cooling | W | 2650 (350~3200) |
| | Heating | | 2440 (300~3200) |
| Running current | Cooling | A | 12.2/11.6/11.2 |
| | Heating | | 11.2/10.7/10.3 |
| Noise level | Sound level | dB | Cooling : 51/51/52 Heating : 52/52/53 |
| | Power level | | Cooling : 65/65/66 Heating : 66/66/67 |
| Exterior dimensions Height × Width × Depth | | mm | 845 × 880 × 340 |
| Color | | | Polar white |
| Net weight | | kg | 66 |
| Refrigerant equipment Compressor type & Q'ty | | | TNB220FLBM1 [Twin rotary type] × 1 |
| Motor | | kW | 1.3 |
| Starting method | | | Direct start |
| Refrigerant control | | | Capillary tubes + Electronic expansion valve |
| Refrigerant | | kg | R410A 3.05 (Pre-charged up to the piping length of 40m) |
| Refrigerant oil | | ℓ | 0.67 (MEL56) |
| Air handling equipment Fan type & Q'ty | | | Propeller fan × 1 |
| Motor | | W | 55 |
| Air flow (at high) | | CMM | 56 |
| Shock & vibration absorber | | | Rubber (for compressor) |
| Safety equipment | | | Compressor overheat protection, Overcurrent protection Serial signal error protection |
| Refrigerant piping | Size × Core × Number | mm (in) | Liquid line: φ 6.35 (1/4") × 4 |
| | | | Gas line: φ 9.52 (3/8") × 4 |
| | Connecting method | | Flare connecting |
| | Attached length piping | | — |
| Insulation | | | Necessary (Both Liquid & Gas lines) |
| Power source supply | | | Terminal block (Screw fixing type) |
| Connection wiring | Size × Core number | | 1.5 mm ² × 4 cores (Including earth cable) × 4 |
| | Connecting method | | Terminal block (Screw fixing type) |
| Accessories (included) | | | Union : (φ 9.52 → φ 12.7) × 2 Installation sheet, Manual instruction |
| Indoor units to be combined | | | SKM22, 25, 28, 35, 50 type STM25, 35, 50, 60 type SRRM25, 35, 50, 60 type |

Notes (1) The data are measured at the following conditions.

| Operation | Item | Indoor air temperature | | Outdoor air temperature | | Standards |
|-----------|------|------------------------|------|-------------------------|------|-------------------|
| | | DB | WB | DB | WB | |
| Cooling | | 27°C | 19°C | 35°C | 24°C | ISO-T1, JIS C9612 |
| Heating | | 20°C | — | 7°C | 6°C | ISO-T1, JIS C9612 |

(2) The values for capacity and power consumption shown in a range () indicate the minimum and maximum of the range.

(3) If the piping length exceeds 40 m, additional charging is required. (20g/m)

(3) Operation data

- The combinations of the indoor units is indicated by numbers. They are read as follows.
(Example) SKM22ZD-S → 22 SKM35ZD-S → 35
- The capacity of the indoor units is shown by rooms. If this exceeds the maximum capacity of the outdoor unit, the demand capacity will be proportionally distributed.
- If units are to be combined, use the table below to make the proper selection.

Model SCM45ZD-S

(a) Heating

(220/230/240V)

| Indoor unit combination | Heating capacity (kW) | | | | | | Power consumption (W) | | | Running current (A) |
|-------------------------|----------------------------|--------|---------------------|----------|------|------|-----------------------|------|----------|---------------------|
| | Room heating capacity (kW) | | Total capacity (kW) | | | Min. | Standard | Max. | Standard | |
| | A room | B room | Min. | Standard | Max. | | | | | |
| 1 room | 22 | 3.2 | | 0.7 | 3.2 | 3.9 | 200 | 1120 | 1380 | 5.1/4.9/4.7 |
| | 25 | 3.4 | | 0.7 | 3.4 | 4.1 | 200 | 1190 | 1450 | 5.5/5.2/5.0 |
| | 28 | 4.0 | | 0.7 | 4.0 | 4.3 | 200 | 1400 | 1520 | 6.4/6.1/5.9 |
| | 35 | 4.5 | | 0.7 | 4.5 | 4.7 | 200 | 1590 | 1660 | 7.3/7.0/6.7 |
| 2 room | 22+22 | 2.65 | 2.65 | 1.5 | 5.3 | 7.4 | 450 | 1430 | 2540 | 6.6/6.3/6.0 |
| | 22+25 | 2.5 | 2.9 | 1.5 | 5.4 | 7.4 | 450 | 1460 | 2540 | 6.7/6.4/6.1 |
| | 22+28 | 2.4 | 3.1 | 1.5 | 5.5 | 7.4 | 450 | 1490 | 2540 | 6.8/6.5/6.3 |
| | 22+35 | 2.2 | 3.4 | 1.5 | 5.6 | 7.4 | 450 | 1540 | 2540 | 7.1/6.8/6.5 |
| | 25+25 | 2.75 | 2.75 | 1.5 | 5.5 | 7.4 | 450 | 1490 | 2540 | 6.8/6.5/6.3 |
| | 25+28 | 2.6 | 2.9 | 1.5 | 5.5 | 7.4 | 450 | 1490 | 2540 | 6.8/6.5/6.3 |
| | 25+35 | 2.4 | 3.3 | 1.5 | 5.7 | 7.4 | 450 | 1570 | 2540 | 7.2/6.9/6.6 |
| | 28+28 | 2.8 | 2.8 | 1.5 | 5.6 | 7.4 | 450 | 1540 | 2540 | 7.1/6.8/6.5 |
| | 28+35 | 2.6 | 3.2 | 1.5 | 5.8 | 7.4 | 450 | 1600 | 2540 | 7.3/7.0/6.7 |
| | 35+35 | 2.95 | 2.95 | 1.5 | 5.9 | 7.4 | 450 | 1630 | 2540 | 7.5/7.2/6.9 |

(b) Cooling**(220/230/240V)**

| Indoor unit combination | | Cooling capacity (kW) | | | | | Power consumption (W) | | | Running current (A) |
|-------------------------|-------|----------------------------|--------|---------------------|----------|------|-----------------------|----------|------|---------------------|
| | | Room cooling capacity (kW) | | Total capacity (kW) | | | Min. | Standard | Max. | Standard |
| | | A room | B room | Min. | Standard | Max. | | | | |
| 1 room | 22 | 2.2 | | 0.7 | 2.2 | 2.6 | 200 | 680 | 810 | 3.1/3.0/2.9 |
| | 25 | 2.5 | | 0.7 | 2.5 | 2.7 | 200 | 760 | 840 | 3.5/3.3/3.2 |
| | 28 | 2.8 | | 0.7 | 2.8 | 3.0 | 200 | 880 | 950 | 4.0/3.9/3.7 |
| | 35 | 3.5 | | 0.7 | 3.5 | 3.6 | 200 | 1200 | 1250 | 5.5/5.3/5.1 |
| 2 room | 22+22 | 2.15 | 2.15 | 1.4 | 4.3 | 5.0 | 420 | 1330 | 1780 | 6.1/5.8/5.6 |
| | 22+25 | 2.0 | 2.3 | 1.4 | 4.3 | 5.1 | 420 | 1330 | 1800 | 6.1/5.8/5.6 |
| | 22+28 | 1.9 | 2.6 | 1.4 | 4.4 | 5.2 | 420 | 1360 | 1820 | 6.2/6.0/5.7 |
| | 22+35 | 1.7 | 2.8 | 1.4 | 4.5 | 5.6 | 420 | 1390 | 2160 | 6.4/6.1/5.9 |
| | 25+25 | 2.2 | 2.2 | 1.4 | 4.4 | 5.2 | 420 | 1360 | 1820 | 6.2/6.0/5.7 |
| | 25+28 | 2.1 | 2.3 | 1.4 | 4.4 | 5.3 | 420 | 1360 | 1850 | 6.2/6.0/5.7 |
| | 25+35 | 1.9 | 2.6 | 1.4 | 4.5 | 5.6 | 420 | 1390 | 2160 | 6.4/6.1/5.9 |
| | 28+28 | 2.25 | 2.25 | 1.4 | 4.5 | 5.5 | 420 | 1390 | 2120 | 6.4/6.1/5.9 |
| | 28+35 | 2.0 | 2.6 | 1.4 | 4.6 | 5.6 | 420 | 1430 | 2160 | 6.6/6.3/6.0 |
| | 35+35 | 2.3 | 2.3 | 1.4 | 4.6 | 5.6 | 420 | 1430 | 2160 | 6.6/6.3/6.0 |

Model SCM60ZD-S

(a) Heating

| Indoor unit combination | | Heating capacity (kW) | | | | | | Power consumption (W) | | | Standard current (A) | | | |
|-------------------------|----------|----------------------------|--------|--------|---------------------|----------|------|-----------------------|----------|------|----------------------|------|------|--|
| | | Room heating capacity (kW) | | | Total capacity (kW) | | | Min. | Standard | Max. | 220V | 230V | 240V | |
| | | A room | B room | C room | Min. | Standard | Max. | | | | | | | |
| 1 room | 22 | 3.2 | — | — | 0.75 | 3.2 | 3.4 | 320 | 1100 | 1200 | 5.1 | 4.8 | 4.6 | |
| | 25 | 3.4 | — | — | 0.75 | 3.4 | 3.6 | 320 | 1200 | 1300 | 5.5 | 5.3 | 5.1 | |
| | 28 | 4.0 | — | — | 0.75 | 4.0 | 4.2 | 320 | 1450 | 1550 | 6.7 | 6.4 | 6.1 | |
| | 35 | 4.5 | — | — | 0.75 | 4.5 | 4.6 | 320 | 1750 | 1800 | 8.0 | 7.7 | 7.4 | |
| | 50 | 5.8 | — | — | 0.75 | 5.8 | 6.2 | 320 | 2100 | 2400 | 9.6 | 9.2 | 8.8 | |
| | 60 | 6.8 | — | — | | 6.8 | | | | | | | | |
| 2 room | 22+22 | 2.55 | 2.55 | — | 1.1 | 5.1 | 6.5 | 330 | 1450 | 2350 | 6.7 | 6.4 | 6.1 | |
| | 22+25 | 2.48 | 2.82 | — | 1.1 | 5.3 | 6.5 | 330 | 1500 | 2350 | 6.9 | 6.6 | 6.3 | |
| | 22+28 | 2.55 | 3.25 | — | 1.1 | 5.8 | 6.5 | 330 | 1700 | 2400 | 7.8 | 7.5 | 7.2 | |
| | 22+35 | 2.35 | 3.75 | — | 1.1 | 6.1 | 6.6 | 330 | 1900 | 2500 | 8.7 | 8.3 | 8.0 | |
| | 22+50 | 2.02 | 4.58 | — | 1.2 | 6.6 | 6.8 | 360 | 2150 | 2700 | 9.9 | 9.4 | 9.0 | |
| | 22+60 | | | | | | | | | | | | | |
| | 25+25 | 2.75 | 2.75 | — | 1.1 | 5.5 | 6.5 | 330 | 1600 | 2350 | 7.3 | 7.0 | 6.7 | |
| | 25+28 | 2.78 | 3.12 | — | 1.1 | 5.9 | 6.5 | 330 | 1800 | 2400 | 8.3 | 7.9 | 7.6 | |
| | 25+35 | 2.63 | 3.68 | — | 1.1 | 6.3 | 6.6 | 330 | 2000 | 2500 | 9.2 | 8.8 | 8.4 | |
| | 25+50 | 2.23 | 4.47 | — | 1.2 | 6.7 | 6.8 | 360 | 2250 | 2700 | 10.3 | 9.9 | 9.5 | |
| | 25+60 | | | | | | | | | | | | | |
| | 28+28 | 3.20 | 3.20 | — | 1.1 | 6.4 | 6.6 | 330 | 2050 | 2450 | 9.4 | 9.0 | 8.6 | |
| | 28+35 | 2.98 | 3.72 | — | 1.1 | 6.7 | 6.7 | 330 | 2200 | 2550 | 10.1 | 9.7 | 9.3 | |
| | 28+50 | 2.41 | 4.29 | — | 1.2 | 6.7 | 6.8 | 360 | 2400 | 2700 | 11.0 | 10.5 | 10.1 | |
| | 28+60 | | | | | | | | | | | | | |
| | 35+35 | 3.35 | 3.35 | — | 1.1 | 6.7 | 6.7 | 330 | 2350 | 2600 | 10.8 | 10.3 | 9.9 | |
| | 35+50 | 2.76 | 3.94 | — | 1.2 | 6.7 | 6.8 | 360 | 2550 | 2700 | 11.7 | 11.2 | 10.7 | |
| | 35+60 | | | | | | | | | | | | | |
| 50+50 | 3.35 | 3.35 | — | 1.5 | 6.7 | 6.8 | 420 | 2600 | 2700 | 11.9 | 11.4 | 10.9 | | |
| 3 room | 22+22+22 | 2.23 | 2.23 | 2.23 | 1.7 | 6.7 | 7.2 | 440 | 1650 | 2700 | 7.6 | 7.2 | 6.9 | |
| | 22+22+25 | 2.20 | 2.20 | 2.50 | 1.7 | 6.9 | 7.2 | 440 | 1750 | 2700 | 8.0 | 7.7 | 7.4 | |
| | 22+22+28 | 2.14 | 2.14 | 2.72 | 1.7 | 7.0 | 7.2 | 440 | 1800 | 2700 | 8.3 | 7.9 | 7.6 | |
| | 22+22+35 | 1.95 | 1.95 | 3.10 | 1.7 | 7.0 | 7.2 | 440 | 1850 | 2700 | 8.5 | 8.1 | 7.8 | |
| | 22+22+50 | 1.64 | 1.64 | 3.72 | 1.9 | 7.0 | 7.2 | 500 | 1740 | 2700 | 8.0 | 7.6 | 7.3 | |
| | 22+22+60 | | | | | | | | | | | | | |
| | 22+25+25 | 2.14 | 2.43 | 2.43 | 1.7 | 7.0 | 7.2 | 440 | 1750 | 2700 | 8.0 | 7.7 | 7.4 | |
| | 22+25+28 | 2.05 | 2.33 | 2.61 | 1.7 | 7.0 | 7.2 | 440 | 1850 | 2700 | 8.5 | 8.1 | 7.8 | |
| | 22+25+35 | 1.88 | 2.13 | 2.99 | 1.7 | 7.0 | 7.2 | 440 | 1950 | 2700 | 9.0 | 8.6 | 8.2 | |
| | 22+25+50 | 1.61 | 1.83 | 3.66 | 1.9 | 7.1 | 7.2 | 500 | 2100 | 2700 | 9.6 | 9.2 | 8.8 | |
| | 22+28+28 | 1.97 | 2.51 | 2.51 | 1.7 | 7.0 | 7.2 | 440 | 1950 | 2700 | 9.0 | 8.6 | 8.2 | |
| | 22+28+35 | 1.84 | 2.34 | 2.92 | 1.7 | 7.1 | 7.2 | 440 | 2050 | 2700 | 9.4 | 9.0 | 8.6 | |
| | 22+28+50 | 1.56 | 1.99 | 3.55 | 1.9 | 7.1 | 7.2 | 500 | 2200 | 2700 | 10.1 | 9.7 | 9.3 | |
| | 22+35+35 | 1.70 | 2.70 | 2.70 | 1.7 | 7.1 | 7.2 | 440 | 2150 | 2700 | 9.9 | 9.4 | 9.0 | |
| | 25+25+25 | 2.33 | 2.33 | 2.33 | 1.7 | 7.0 | 7.2 | 440 | 1800 | 2700 | 8.3 | 7.9 | 7.6 | |
| | 25+25+28 | 2.24 | 2.24 | 2.51 | 1.7 | 7.0 | 7.2 | 440 | 1900 | 2700 | 8.7 | 8.3 | 8.0 | |
| | 25+25+35 | 2.06 | 2.06 | 2.88 | 1.7 | 7.0 | 7.2 | 440 | 2000 | 2700 | 9.2 | 8.8 | 8.4 | |
| | 25+25+50 | 1.78 | 1.78 | 3.55 | 1.9 | 7.1 | 7.2 | 500 | 2150 | 2700 | 9.9 | 9.4 | 9.0 | |
| | 25+28+28 | 2.19 | 2.45 | 2.45 | 1.7 | 7.1 | 7.2 | 440 | 2000 | 2700 | 9.2 | 8.8 | 8.4 | |
| | 25+28+35 | 2.02 | 2.26 | 2.82 | 1.7 | 7.1 | 7.2 | 440 | 2100 | 2700 | 9.6 | 9.2 | 8.8 | |
| | 25+28+50 | 1.72 | 1.93 | 3.45 | 1.9 | 7.1 | 7.2 | 500 | 2250 | 2700 | 10.3 | 9.9 | 9.5 | |
| | 25+35+35 | 1.87 | 2.62 | 2.62 | 1.7 | 7.1 | 7.2 | 440 | 2200 | 2700 | 10.1 | 9.7 | 9.3 | |
| | 28+28+28 | 2.37 | 2.37 | 2.37 | 1.7 | 7.1 | 7.2 | 440 | 2150 | 2700 | 9.9 | 9.4 | 9.0 | |
| | 28+28+35 | 2.18 | 2.18 | 2.73 | 1.7 | 7.1 | 7.2 | 440 | 2200 | 2700 | 10.1 | 9.7 | 9.3 | |
| 28+28+50 | 1.88 | 1.88 | 3.35 | 1.9 | 7.1 | 7.2 | 500 | 2350 | 2700 | 10.8 | 10.3 | 9.9 | | |
| 28+35+35 | 2.03 | 2.54 | 2.54 | 1.7 | 7.1 | 7.2 | 440 | 2300 | 2700 | 10.6 | 10.1 | 9.7 | | |
| 35+35+35 | 2.37 | 2.37 | 2.37 | 1.7 | 7.1 | 7.2 | 440 | 2400 | 2700 | 11.0 | 10.5 | 10.1 | | |

(b) Cooling

| Indoor unit combination | | Cooling capacity (kW) | | | | | | Power consumption (W) | | | Standard current (A) | | |
|-------------------------|----------|----------------------------|--------|--------|---------------------|----------|------|-----------------------|----------|------|----------------------|------|------|
| | | Room cooling capacity (kW) | | | Total capacity (kW) | | | Min. | Standard | Max. | 220V | 230V | 240V |
| | | A room | B room | C room | Min. | Standard | Max. | | | | | | |
| 1 room | 22 | 2.2 | — | — | 1.4 | 2.2 | 2.3 | 400 | 720 | 750 | 3.3 | 3.2 | 3.0 |
| | 25 | 2.5 | — | — | 1.4 | 2.5 | 2.6 | 400 | 800 | 830 | 3.7 | 3.5 | 3.4 |
| | 28 | 2.8 | — | — | 1.4 | 2.8 | 3.0 | 400 | 950 | 1050 | 4.4 | 4.2 | 4.0 |
| | 35 | 3.5 | — | — | 1.4 | 3.5 | 3.6 | 400 | 1300 | 1350 | 6.0 | 5.7 | 5.5 |
| | 50 | 5.0 | — | — | 1.4 | 5.0 | 5.1 | 400 | 2200 | 2250 | 10.1 | 9.7 | 9.3 |
| | 60 | 6.0 | — | — | | 6.0 | | | | | | | |
| 2 room | 22+22 | 2.20 | 2.20 | — | 1.5 | 4.4 | 4.6 | 410 | 1450 | 1650 | 6.7 | 6.4 | 6.1 |
| | 22+25 | 2.20 | 2.50 | — | 1.5 | 4.7 | 4.9 | 410 | 1600 | 1750 | 7.3 | 7.0 | 6.7 |
| | 22+28 | 2.20 | 2.80 | — | 1.5 | 5.0 | 5.2 | 410 | 1720 | 1900 | 7.9 | 7.6 | 7.2 |
| | 22+35 | 2.05 | 3.25 | — | 1.5 | 5.3 | 5.4 | 410 | 2100 | 2150 | 9.6 | 9.2 | 8.8 |
| | 22+50 | 1.86 | 4.24 | — | 1.6 | 6.1 | 6.4 | 440 | 2550 | 2750 | 11.7 | 11.2 | 10.7 |
| | 22+60 | | | | | | | | | | | | |
| | 25+25 | 2.50 | 2.50 | — | 1.5 | 5.0 | 5.2 | 410 | 1720 | 1900 | 7.9 | 7.6 | 7.2 |
| | 25+28 | 2.50 | 2.80 | — | 1.5 | 5.3 | 5.4 | 410 | 1850 | 1950 | 8.5 | 8.1 | 7.8 |
| | 25+35 | 2.42 | 3.38 | — | 1.5 | 5.8 | 5.9 | 410 | 2200 | 2300 | 10.1 | 9.7 | 9.3 |
| | 25+50 | 2.10 | 4.20 | — | 1.6 | 6.3 | 6.5 | 440 | 2720 | 2850 | 12.5 | 11.9 | 11.4 |
| | 25+60 | | | | | | | | | | | | |
| | 28+28 | 2.80 | 2.80 | — | 1.5 | 5.6 | 5.7 | 410 | 2000 | 2100 | 9.2 | 8.8 | 8.4 |
| | 28+35 | 2.71 | 3.39 | — | 1.5 | 6.1 | 6.2 | 410 | 2420 | 2500 | 11.1 | 10.6 | 10.2 |
| | 28+50 | 2.37 | 4.23 | — | 1.6 | 6.6 | 6.6 | 440 | 2880 | 2880 | 13.2 | 12.6 | 12.1 |
| | 28+60 | | | | | | | | | | | | |
| 35+35 | 3.30 | 3.30 | — | 1.5 | 6.6 | 6.6 | 410 | 2880 | 2880 | 13.2 | 12.6 | 12.1 | |
| 35+50 | 2.72 | 3.88 | — | 1.6 | 6.6 | 6.6 | 440 | 2880 | 2880 | 13.2 | 12.6 | 12.1 | |
| 35+60 | | | | | | | | | | | | | |
| 50+50 | 3.30 | 3.30 | — | 1.9 | 6.6 | 6.6 | 500 | 2880 | 2880 | 13.2 | 12.6 | 12.1 | |
| 3 room | 22+22+22 | 1.70 | 1.70 | 1.70 | 1.9 | 5.1 | 6.8 | 620 | 1470 | 2950 | 6.7 | 6.5 | 6.2 |
| | 22+22+25 | 1.66 | 1.66 | 1.88 | 1.9 | 5.2 | 6.8 | 620 | 1500 | 2950 | 6.9 | 6.6 | 6.3 |
| | 22+22+28 | 1.59 | 1.59 | 2.02 | 1.9 | 5.2 | 6.9 | 620 | 1500 | 3000 | 6.9 | 6.6 | 6.3 |
| | 22+22+35 | 1.50 | 1.50 | 2.39 | 1.9 | 5.4 | 6.9 | 620 | 1600 | 3000 | 7.3 | 7.0 | 6.7 |
| | 22+22+50 | 1.40 | 1.40 | 3.19 | 2.1 | 6.0 | 6.9 | 680 | 1860 | 3000 | 8.5 | 8.2 | 7.8 |
| | 22+22+60 | | | | | | | | | | | | |
| | 22+25+25 | 1.59 | 1.81 | 1.81 | 1.9 | 5.2 | 6.9 | 620 | 1500 | 3000 | 6.9 | 6.6 | 6.3 |
| | 22+25+28 | 1.55 | 1.77 | 1.98 | 1.9 | 5.3 | 6.9 | 620 | 1550 | 3000 | 7.1 | 6.8 | 6.5 |
| | 22+25+35 | 1.48 | 1.68 | 2.35 | 1.9 | 5.5 | 6.9 | 620 | 1620 | 3000 | 7.4 | 7.1 | 6.8 |
| | 22+25+50 | 1.34 | 1.52 | 3.04 | 2.1 | 5.9 | 6.9 | 680 | 1800 | 3000 | 8.3 | 7.9 | 7.6 |
| | 22+28+28 | 1.52 | 1.94 | 1.94 | 1.9 | 5.4 | 6.9 | 620 | 1600 | 3000 | 7.3 | 7.0 | 6.7 |
| | 22+28+35 | 1.45 | 1.84 | 2.31 | 1.9 | 5.6 | 6.9 | 620 | 1650 | 3000 | 7.6 | 7.2 | 6.9 |
| | 22+28+50 | 1.32 | 1.68 | 3.00 | 2.1 | 6.0 | 6.9 | 680 | 1860 | 3000 | 8.5 | 8.2 | 7.8 |
| | 22+35+35 | 1.39 | 2.21 | 2.21 | 1.9 | 5.8 | 6.9 | 620 | 1750 | 3000 | 8.0 | 7.7 | 7.4 |
| | 25+25+25 | 1.77 | 1.77 | 1.77 | 1.9 | 5.3 | 6.9 | 620 | 1550 | 3000 | 7.1 | 6.8 | 6.5 |
| | 25+25+28 | 1.73 | 1.73 | 1.94 | 1.9 | 5.4 | 6.9 | 620 | 1600 | 3000 | 7.3 | 7.0 | 6.7 |
| | 25+25+35 | 1.65 | 1.65 | 2.31 | 1.9 | 5.6 | 6.9 | 620 | 1650 | 3000 | 7.6 | 7.2 | 6.9 |
| | 25+25+50 | 1.50 | 1.50 | 3.00 | 2.1 | 6.0 | 6.9 | 680 | 1860 | 3000 | 8.5 | 8.2 | 7.8 |
| | 25+28+28 | 1.70 | 1.90 | 1.90 | 1.9 | 5.5 | 6.9 | 620 | 1620 | 3000 | 7.4 | 7.1 | 6.8 |
| | 25+28+35 | 1.62 | 1.81 | 2.27 | 1.9 | 5.7 | 6.9 | 620 | 1700 | 3000 | 7.8 | 7.5 | 7.2 |
| | 25+28+50 | 1.48 | 1.66 | 2.96 | 2.1 | 6.1 | 6.9 | 680 | 2000 | 3000 | 9.2 | 8.8 | 8.4 |
| 25+35+35 | 1.55 | 2.17 | 2.17 | 1.9 | 5.9 | 6.9 | 620 | 1800 | 3000 | 8.3 | 7.9 | 7.6 | |
| 28+28+28 | 1.87 | 1.87 | 1.87 | 1.9 | 5.6 | 6.9 | 620 | 1650 | 3000 | 7.6 | 7.2 | 6.9 | |
| 28+28+35 | 1.78 | 1.78 | 2.23 | 1.9 | 5.8 | 6.9 | 620 | 1750 | 3000 | 8.0 | 7.7 | 7.4 | |
| 28+28+50 | 1.64 | 1.64 | 2.92 | 2.1 | 6.2 | 6.9 | 680 | 2100 | 3000 | 9.6 | 9.2 | 8.8 | |
| 28+35+35 | 1.69 | 2.11 | 2.11 | 1.9 | 5.9 | 6.9 | 620 | 1800 | 3000 | 8.3 | 7.9 | 7.6 | |
| 35+35+35 | 2.07 | 2.07 | 2.07 | 1.9 | 6.2 | 6.9 | 620 | 2100 | 3000 | 9.6 | 9.2 | 8.8 | |

Model SCM80ZD-S

(a) Heating

| Indoor unit combination | | Heating capacity (kW) | | | | | | | Power consumption (W) | | | Standard current (A) | | | |
|-------------------------|----------|----------------------------|--------|--------|--------|---------------------|----------|------|-----------------------|----------|------|----------------------|------|------|--|
| | | Room heating capacity (kW) | | | | Total capacity (kW) | | | Min. | Standard | Max. | 220V | 230V | 240V | |
| | | A room | B room | C room | D room | Min. | Standard | Max. | | | | | | | |
| 1 room | 22 | 3.2 | — | — | — | 0.85 | 3.2 | 3.9 | 300 | 1180 | 1550 | 5.4 | 5.2 | 5.0 | |
| | 25 | 3.4 | — | — | — | 0.85 | 3.4 | 4.1 | 300 | 1280 | 1650 | 5.9 | 5.6 | 5.4 | |
| | 28 | 4.0 | — | — | — | 0.85 | 4.0 | 4.3 | 300 | 1550 | 1750 | 7.1 | 6.8 | 6.5 | |
| | 35 | 4.5 | — | — | — | 0.85 | 4.5 | 4.8 | 300 | 1850 | 1950 | 8.5 | 8.1 | 7.8 | |
| | 50 | 5.8 | — | — | — | 0.85 | 5.8 | 7.3 | 300 | 2200 | 3100 | 10.1 | 9.7 | 9.3 | |
| | 60 | 6.8 | — | — | — | | 6.8 | | | | | | | | |
| 2 room | 22+22 | 2.90 | 2.90 | — | — | 1.4 | 5.8 | 8.0 | 420 | 1750 | 3150 | 8.0 | 7.7 | 7.4 | |
| | 22+25 | 2.81 | 3.19 | — | — | 1.4 | 6.0 | 8.0 | 420 | 1850 | 3150 | 8.5 | 8.1 | 7.8 | |
| | 22+28 | 2.86 | 3.64 | — | — | 1.4 | 6.5 | 8.0 | 420 | 2100 | 3150 | 9.6 | 9.2 | 8.8 | |
| | 22+35 | 2.66 | 4.24 | — | — | 1.4 | 6.9 | 8.0 | 420 | 2300 | 3150 | 10.6 | 10.1 | 9.7 | |
| | 22+50 | 2.35 | 5.35 | — | — | 1.6 | 7.7 | 8.0 | 450 | 2650 | 3150 | 12.2 | 11.6 | 11.2 | |
| | 22+60 | | | — | — | | | | | | | | | | |
| | 25+25 | 3.10 | 3.10 | — | — | 1.4 | 6.2 | 8.0 | 420 | 1950 | 3150 | 9.0 | 8.6 | 8.2 | |
| | 25+28 | 3.16 | 3.54 | — | — | 1.4 | 6.7 | 8.0 | 420 | 2200 | 3150 | 10.1 | 9.7 | 9.3 | |
| | 25+35 | 2.96 | 4.14 | — | — | 1.4 | 7.1 | 8.0 | 420 | 2350 | 3150 | 10.8 | 10.3 | 9.9 | |
| | 25+50 | 2.63 | 5.27 | — | — | 1.6 | 7.9 | 8.0 | 450 | 2750 | 3150 | 12.6 | 12.1 | 11.6 | |
| | 25+60 | | | — | — | | | | | | | | | | |
| | 28+28 | 3.60 | 3.60 | — | — | 1.4 | 7.2 | 8.0 | 420 | 2400 | 3150 | 11.0 | 10.5 | 10.1 | |
| | 28+35 | 3.38 | 4.22 | — | — | 1.4 | 7.6 | 8.0 | 420 | 2600 | 3150 | 11.9 | 11.4 | 10.9 | |
| | 28+50 | 2.87 | 5.13 | — | — | 1.6 | 8.0 | 8.0 | 450 | 2950 | 3150 | 13.5 | 13.0 | 12.4 | |
| | 28+60 | | | — | — | | | | | | | | | | |
| | 35+35 | 4.00 | 4.00 | — | — | 1.4 | 8.0 | 8.0 | 420 | 2800 | 3150 | 12.9 | 12.3 | 11.8 | |
| 35+50 | 3.29 | 4.71 | — | — | 1.6 | 8.0 | 8.0 | 450 | 3100 | 3150 | 14.2 | 13.6 | 13.0 | | |
| 35+60 | | | — | — | | | | | | | | | | | |
| 50+50 | 4.00 | 4.00 | — | — | 1.9 | 8.0 | 8.0 | 520 | 3150 | 3150 | 14.5 | 13.8 | 13.3 | | |
| 50+60 | | | — | — | | | | | | | | | | | |
| 3 room | 22+22+22 | 2.70 | 2.70 | 2.70 | — | 2.4 | 8.1 | 8.8 | 600 | 2250 | 3200 | 10.3 | 9.9 | 9.5 | |
| | 22+22+25 | 2.61 | 2.61 | 2.97 | — | 2.4 | 8.2 | 8.8 | 600 | 2300 | 3200 | 10.6 | 10.1 | 9.7 | |
| | 22+22+28 | 2.66 | 2.66 | 3.38 | — | 2.4 | 8.7 | 8.8 | 600 | 2500 | 3200 | 11.5 | 11.0 | 10.5 | |
| | 22+22+35 | 2.45 | 2.45 | 3.90 | — | 2.4 | 8.8 | 8.8 | 600 | 3200 | 3200 | 14.7 | 14.1 | 13.5 | |
| | 22+22+50 | 2.06 | 2.06 | 4.68 | — | 2.6 | 8.8 | 8.8 | 650 | 3200 | 3200 | 14.7 | 14.1 | 13.5 | |
| | 22+22+60 | | | | — | | | | | | | | | | |
| | 22+25+25 | 2.54 | 2.88 | 2.88 | — | 2.4 | 8.3 | 8.8 | 600 | 2350 | 3200 | 10.8 | 10.3 | 9.9 | |
| | 22+25+28 | 2.58 | 2.93 | 3.29 | — | 2.4 | 8.8 | 8.8 | 600 | 2550 | 3200 | 11.7 | 11.2 | 10.7 | |
| | 22+25+35 | 2.36 | 2.68 | 3.76 | — | 2.4 | 8.8 | 8.8 | 600 | 2700 | 3200 | 12.4 | 11.9 | 11.4 | |
| | 22+25+50 | 2.00 | 2.27 | 4.54 | — | 2.6 | 8.8 | 8.8 | 650 | 2950 | 3200 | 13.5 | 13.0 | 12.4 | |
| | 22+25+60 | | | | — | | | | | | | | | | |
| | 22+28+28 | 2.48 | 3.16 | 3.16 | — | 2.4 | 8.8 | 8.8 | 600 | 2700 | 3200 | 12.4 | 11.9 | 11.4 | |
| | 22+28+35 | 2.28 | 2.90 | 3.62 | — | 2.4 | 8.8 | 8.8 | 600 | 2850 | 3200 | 13.1 | 12.5 | 12.0 | |
| | 22+28+50 | 1.94 | 2.46 | 4.40 | — | 2.6 | 8.8 | 8.8 | 650 | 3100 | 3200 | 14.2 | 13.6 | 13.0 | |
| | 22+28+60 | | | | — | | | | | | | | | | |
| | 22+35+35 | 2.10 | 3.35 | 3.35 | — | 2.4 | 8.8 | 8.8 | 600 | 3000 | 3200 | 13.8 | 13.2 | 12.6 | |
| | 22+35+50 | 1.81 | 2.88 | 4.11 | — | 2.6 | 8.8 | 8.8 | 650 | 3200 | 3200 | 14.7 | 14.1 | 13.5 | |
| | 22+35+60 | | | | — | | | | | | | | | | |
| | 22+50+50 | 1.59 | 3.61 | 3.61 | — | 2.8 | 8.8 | 8.8 | 700 | 3200 | 3200 | 14.7 | 14.1 | 13.5 | |
| | 22+50+60 | | | | — | | | | | | | | | | |
| | 25+25+25 | 2.80 | 2.80 | 2.80 | — | 2.4 | 8.4 | 8.8 | 600 | 2400 | 3200 | 11.0 | 10.5 | 10.1 | |
| | 25+25+28 | 2.82 | 2.82 | 3.16 | — | 2.4 | 8.8 | 8.8 | 600 | 2600 | 3200 | 11.9 | 11.4 | 10.9 | |
| | 25+25+35 | 2.59 | 2.59 | 3.62 | — | 2.4 | 8.8 | 8.8 | 600 | 2750 | 3200 | 12.6 | 12.1 | 11.6 | |
| | 25+25+50 | 2.20 | 2.20 | 4.40 | — | 2.6 | 8.8 | 8.8 | 650 | 3000 | 3200 | 13.8 | 13.2 | 12.6 | |
| 25+25+60 | | | | — | | | | | | | | | | | |
| 25+28+28 | 2.72 | 3.04 | 3.04 | — | 2.4 | 8.8 | 8.8 | 600 | 2750 | 3200 | 12.6 | 12.1 | 11.6 | | |
| 25+28+35 | 2.50 | 2.80 | 3.50 | — | 2.4 | 8.8 | 8.8 | 600 | 2900 | 3200 | 13.3 | 12.7 | 12.2 | | |
| 25+28+50 | 2.14 | 2.39 | 4.27 | — | 2.6 | 8.8 | 8.8 | 650 | 3150 | 3200 | 14.5 | 13.8 | 13.3 | | |
| 25+28+60 | | | | — | | | | | | | | | | | |
| 25+35+35 | 2.32 | 3.24 | 3.24 | — | 2.4 | 8.8 | 8.8 | 600 | 3050 | 3200 | 14.0 | 13.4 | 12.8 | | |

| Indoor unit combination | | Heating capacity (kW) | | | | | | | Power consumption (W) | | | Standard current (A) | | |
|-------------------------|-------------|----------------------------|--------|--------|--------|---------------------|----------|------|-----------------------|----------|------|----------------------|------|------|
| | | Room heating capacity (kW) | | | | Total capacity (kW) | | | Min. | Standard | Max. | 220V | 230V | 240V |
| | | A room | B room | C room | D room | Min. | Standard | Max. | | | | | | |
| 3 room | 25+35+50 | 2.00 | 2.80 | 4.00 | — | 2.6 | 8.8 | 8.8 | 650 | 3200 | 3200 | 14.7 | 14.1 | 13.5 |
| | 25+35+60 | | | | — | | | | | | | | | |
| | 25+50+50 | 1.76 | 3.52 | 3.52 | — | 2.8 | 8.8 | 8.8 | 700 | 3200 | 3200 | 14.7 | 14.1 | 13.5 |
| | 28+28+28 | 2.93 | 2.93 | 2.93 | — | 2.4 | 8.8 | 8.8 | 600 | 2050 | 3200 | 9.4 | 9.0 | 8.6 |
| | 28+28+35 | 2.71 | 2.71 | 3.38 | — | 2.4 | 8.8 | 8.8 | 600 | 2100 | 3200 | 9.6 | 9.2 | 8.8 |
| | 28+28+50 | 2.32 | 2.32 | 4.15 | — | 2.6 | 8.8 | 8.8 | 650 | 3200 | 3200 | 14.7 | 14.1 | 13.5 |
| | 28+28+60 | | | | — | | | | | | | | | |
| | 28+35+35 | 2.51 | 3.14 | 3.14 | — | 2.4 | 8.8 | 8.8 | 600 | 3200 | 3200 | 14.7 | 14.1 | 13.5 |
| | 28+35+50 | 2.18 | 2.73 | 3.89 | — | 2.6 | 8.8 | 8.8 | 650 | 3200 | 3200 | 14.7 | 14.1 | 13.5 |
| | 28+35+60 | | | | — | | | | | | | | | |
| | 28+50+50 | 1.93 | 3.44 | 3.44 | — | 2.8 | 8.8 | 8.8 | 700 | 3200 | 3200 | 14.7 | 14.1 | 13.5 |
| | 35+35+35 | 2.93 | 2.93 | 2.93 | — | 2.4 | 8.8 | 8.8 | 600 | 3200 | 3200 | 14.7 | 14.1 | 13.5 |
| | 35+35+50 | 2.57 | 2.57 | 3.67 | — | 2.6 | 8.8 | 8.8 | 650 | 3200 | 3200 | 14.7 | 14.1 | 13.5 |
| 35+35+60 | | | | — | | | | | | | | | | |
| 4 room | 22+22+22+22 | 2.28 | 2.28 | 2.28 | 2.28 | 3.4 | 9.1 | 9.7 | 850 | 2300 | 2950 | 10.6 | 10.1 | 9.7 |
| | 22+22+22+25 | 2.25 | 2.25 | 2.25 | 2.55 | 3.4 | 9.3 | 9.7 | 850 | 2300 | 2950 | 10.6 | 10.1 | 9.7 |
| | 22+22+22+28 | 2.18 | 2.18 | 2.18 | 2.77 | 3.4 | 9.3 | 9.7 | 850 | 2300 | 2950 | 10.6 | 10.1 | 9.7 |
| | 22+22+22+35 | 2.03 | 2.03 | 2.03 | 3.22 | 3.4 | 9.3 | 9.7 | 850 | 2350 | 2950 | 10.8 | 10.3 | 9.9 |
| | 22+22+22+50 | 1.78 | 1.78 | 1.78 | 4.05 | 3.6 | 9.4 | 9.7 | 920 | 2350 | 2950 | 10.8 | 10.3 | 9.9 |
| | 22+22+22+60 | | | | | | | | | | | | | |
| | 22+22+25+25 | 2.18 | 2.18 | 2.47 | 2.47 | 3.4 | 9.3 | 9.7 | 850 | 2300 | 2950 | 10.6 | 10.1 | 9.7 |
| | 22+22+25+28 | 2.11 | 2.11 | 2.40 | 2.68 | 3.4 | 9.3 | 9.7 | 850 | 2300 | 2950 | 10.6 | 10.1 | 9.7 |
| | 22+22+25+35 | 1.97 | 1.97 | 2.24 | 3.13 | 3.4 | 9.3 | 9.7 | 850 | 2350 | 2950 | 10.8 | 10.3 | 9.9 |
| | 22+22+25+50 | 1.74 | 1.74 | 1.97 | 3.95 | 3.6 | 9.4 | 9.7 | 920 | 2400 | 2950 | 11.0 | 10.5 | 10.1 |
| | 22+22+25+60 | | | | | | | | | | | | | |
| | 22+22+28+28 | 2.05 | 2.05 | 2.60 | 2.60 | 3.4 | 9.3 | 9.7 | 850 | 2350 | 2950 | 10.8 | 10.3 | 9.9 |
| | 22+22+28+35 | 1.93 | 1.93 | 2.46 | 3.07 | 3.4 | 9.4 | 9.7 | 850 | 2350 | 2950 | 10.8 | 10.3 | 9.9 |
| | 22+22+28+50 | 1.70 | 1.70 | 2.16 | 3.85 | 3.6 | 9.4 | 9.7 | 920 | 2400 | 2950 | 11.0 | 10.5 | 10.1 |
| | 22+22+28+60 | | | | | | | | | | | | | |
| | 22+22+35+35 | 1.81 | 1.81 | 2.89 | 2.89 | 3.4 | 9.4 | 9.7 | 850 | 2400 | 2950 | 11.0 | 10.5 | 10.1 |
| | 22+22+35+50 | 1.60 | 1.60 | 2.55 | 3.64 | 3.6 | 9.4 | 9.7 | 920 | 2400 | 2950 | 11.0 | 10.5 | 10.1 |
| | 22+25+25+25 | 2.11 | 2.40 | 2.40 | 2.40 | 3.4 | 9.3 | 9.7 | 850 | 2300 | 2950 | 10.6 | 10.1 | 9.7 |
| | 22+25+25+28 | 2.05 | 2.33 | 2.33 | 2.60 | 3.4 | 9.3 | 9.7 | 850 | 2300 | 2950 | 10.6 | 10.1 | 9.7 |
| | 22+25+25+35 | 1.93 | 2.20 | 2.20 | 3.07 | 3.4 | 9.4 | 9.7 | 850 | 2350 | 2950 | 10.8 | 10.3 | 9.9 |
| | 22+25+25+50 | 1.70 | 1.93 | 1.93 | 3.85 | 3.6 | 9.4 | 9.7 | 920 | 2400 | 2950 | 11.0 | 10.5 | 10.1 |
| | 22+25+25+60 | | | | | | | | | | | | | |
| | 22+25+28+28 | 2.01 | 2.28 | 2.56 | 2.56 | 3.4 | 9.4 | 9.7 | 850 | 2350 | 2950 | 10.8 | 10.3 | 9.9 |
| | 22+25+28+35 | 1.88 | 2.14 | 2.39 | 2.99 | 3.4 | 9.4 | 9.7 | 850 | 2350 | 2950 | 10.8 | 10.3 | 9.9 |
| | 22+25+28+50 | 1.65 | 1.88 | 2.11 | 3.76 | 3.6 | 9.4 | 9.7 | 920 | 2400 | 2950 | 11.0 | 10.5 | 10.1 |
| | 22+25+35+35 | 1.77 | 2.01 | 2.81 | 2.81 | 3.4 | 9.4 | 9.7 | 850 | 2400 | 2950 | 11.0 | 10.5 | 10.1 |
| | 22+25+35+50 | 1.57 | 1.78 | 2.49 | 3.56 | 3.6 | 9.4 | 9.7 | 920 | 2400 | 2950 | 11.0 | 10.5 | 10.1 |
| | 22+28+28+28 | 1.95 | 2.48 | 2.48 | 2.48 | 3.4 | 9.4 | 9.7 | 850 | 2350 | 2950 | 10.8 | 10.3 | 9.9 |
| | 22+28+28+35 | 1.83 | 2.33 | 2.33 | 2.91 | 3.4 | 9.4 | 9.7 | 850 | 2400 | 2950 | 11.0 | 10.5 | 10.1 |
| | 22+28+28+50 | 1.62 | 2.06 | 2.06 | 3.67 | 3.6 | 9.4 | 9.7 | 920 | 2400 | 2950 | 11.0 | 10.5 | 10.1 |
| | 22+28+35+35 | 1.72 | 2.19 | 2.74 | 2.74 | 3.4 | 9.4 | 9.7 | 850 | 2400 | 2950 | 11.0 | 10.5 | 10.1 |
| | 22+35+35+35 | 1.63 | 2.59 | 2.59 | 2.59 | 3.4 | 9.4 | 9.7 | 850 | 2400 | 2950 | 11.0 | 10.5 | 10.1 |
| | 25+25+25+25 | 2.33 | 2.33 | 2.33 | 2.33 | 3.4 | 9.3 | 9.7 | 850 | 2300 | 2950 | 10.6 | 10.1 | 9.7 |
| 25+25+25+28 | 2.26 | 2.26 | 2.26 | 2.53 | 3.4 | 9.3 | 9.7 | 850 | 2350 | 2950 | 10.8 | 10.3 | 9.9 | |
| 25+25+25+35 | 2.14 | 2.14 | 2.14 | 2.99 | 3.4 | 9.4 | 9.7 | 850 | 2350 | 2950 | 10.8 | 10.3 | 9.9 | |
| 25+25+25+50 | 1.88 | 1.88 | 1.88 | 3.76 | 3.6 | 9.4 | 9.7 | 920 | 2400 | 2950 | 11.0 | 10.5 | 10.1 | |
| 25+25+28+28 | 2.22 | 2.22 | 2.48 | 2.48 | 3.4 | 9.4 | 9.7 | 850 | 2350 | 2950 | 10.8 | 10.3 | 9.9 | |
| 25+25+28+35 | 2.08 | 2.08 | 2.33 | 2.91 | 3.4 | 9.4 | 9.7 | 850 | 2400 | 2950 | 11.0 | 10.5 | 10.1 | |
| 25+25+28+50 | 1.84 | 1.84 | 2.06 | 3.67 | 3.6 | 9.4 | 9.7 | 920 | 2400 | 2950 | 11.0 | 10.5 | 10.1 | |
| 25+25+35+35 | 1.96 | 1.96 | 2.74 | 2.74 | 3.4 | 9.4 | 9.7 | 850 | 2400 | 2950 | 11.0 | 10.5 | 10.1 | |
| 28+28+28+28 | 2.35 | 2.35 | 2.35 | 2.35 | 3.4 | 9.4 | 9.7 | 850 | 2400 | 2950 | 11.0 | 10.5 | 10.1 | |
| 28+28+28+35 | 2.21 | 2.21 | 2.21 | 2.76 | 3.4 | 9.4 | 9.7 | 850 | 2400 | 2950 | 11.0 | 10.5 | 10.1 | |
| 28+28+28+50 | 1.99 | 1.99 | 1.99 | 3.54 | 3.6 | 9.5 | 9.7 | 920 | 2440 | 2950 | 11.2 | 10.7 | 10.3 | |
| 28+28+35+35 | 2.09 | 2.09 | 2.61 | 2.61 | 3.4 | 9.4 | 9.7 | 850 | 2400 | 2950 | 11.0 | 10.5 | 10.1 | |
| 28+35+35+35 | 2.00 | 2.50 | 2.50 | 2.50 | 3.4 | 9.5 | 9.7 | 850 | 2450 | 2950 | 11.2 | 10.8 | 10.3 | |

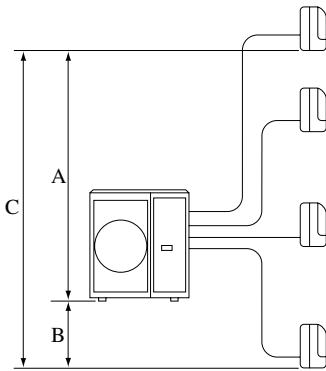
(b) Cooling

| Indoor unit combination | | Cooling capacity (kW) | | | | | | | Power consumption (W) | | | Standard current (A) | | | |
|-------------------------|----------|----------------------------|--------|--------|--------|---------------------|----------|------|-----------------------|----------|------|----------------------|------|------|--|
| | | Room cooling capacity (kW) | | | | Total capacity (kW) | | | Min. | Standard | Max. | 220V | 230V | 240V | |
| | | A room | B room | C room | D room | Min. | Standard | Max. | | | | | | | |
| 1 room | 22 | 2.2 | — | — | — | 1.0 | 2.2 | 2.6 | 350 | 700 | 850 | 3.2 | 3.1 | 2.9 | |
| | 25 | 2.5 | — | — | — | 1.0 | 2.5 | 2.8 | 350 | 830 | 950 | 3.8 | 3.6 | 3.5 | |
| | 28 | 2.8 | — | — | — | 1.0 | 2.8 | 3.2 | 350 | 950 | 1100 | 4.4 | 4.2 | 4.0 | |
| | 35 | 3.5 | — | — | — | 1.0 | 3.5 | 3.8 | 350 | 1200 | 1350 | 5.5 | 5.3 | 5.1 | |
| | 50 | 5.0 | — | — | — | 1.0 | 5.0 | 5.3 | 350 | 1950 | 2100 | 9.0 | 8.6 | 8.2 | |
| | 60 | 6.0 | — | — | — | | 6.0 | | | | | | | | |
| 2 room | 22+22 | 2.20 | 2.20 | — | — | 1.4 | 4.4 | 5.5 | 550 | 1700 | 2100 | 7.8 | 7.5 | 7.2 | |
| | 22+25 | 2.20 | 2.50 | — | — | 1.4 | 4.7 | 5.7 | 550 | 1800 | 2200 | 8.3 | 7.9 | 7.6 | |
| | 22+28 | 2.20 | 2.80 | — | — | 1.4 | 5.0 | 6.1 | 550 | 1920 | 2350 | 8.8 | 8.4 | 8.1 | |
| | 22+35 | 2.20 | 3.50 | — | — | 1.4 | 5.7 | 6.8 | 550 | 2200 | 2650 | 10.1 | 9.7 | 9.3 | |
| | 22+50 | 2.20 | 5.00 | — | — | 1.6 | 7.2 | 7.9 | 600 | 2750 | 3080 | 12.6 | 12.1 | 11.6 | |
| | 22+60 | | | — | — | | | | | | | | | | |
| | 25+25 | 2.50 | 2.50 | — | — | 1.4 | 5.0 | 5.8 | 550 | 1920 | 2210 | 8.8 | 8.4 | 8.1 | |
| | 25+28 | 2.50 | 2.80 | — | — | 1.4 | 5.3 | 6.2 | 550 | 2050 | 2400 | 9.4 | 9.0 | 8.6 | |
| | 25+35 | 2.50 | 3.50 | — | — | 1.4 | 6.0 | 6.9 | 550 | 2300 | 2700 | 10.6 | 10.1 | 9.7 | |
| | 25+50 | 2.50 | 5.00 | — | — | 1.6 | 7.5 | 7.9 | 600 | 2850 | 3080 | 13.1 | 12.5 | 12.0 | |
| | 25+60 | | | — | — | | | | | | | | | | |
| | 28+28 | 2.80 | 2.80 | — | — | 1.4 | 5.6 | 6.7 | 550 | 2150 | 2600 | 9.9 | 9.4 | 9.0 | |
| | 28+35 | 2.80 | 3.50 | — | — | 1.4 | 6.3 | 7.4 | 550 | 2450 | 2900 | 11.2 | 10.8 | 10.3 | |
| | 28+50 | 2.76 | 4.94 | — | — | 1.6 | 7.7 | 7.9 | 600 | 2950 | 3080 | 13.5 | 13.0 | 12.4 | |
| | 28+60 | | | — | — | | | | | | | | | | |
| | 35+35 | 3.50 | 3.50 | — | — | 1.4 | 7.0 | 7.9 | 550 | 2700 | 3080 | 12.4 | 11.9 | 11.4 | |
| | 35+50 | 3.17 | 4.53 | — | — | 1.6 | 7.7 | 7.9 | 600 | 2950 | 3080 | 13.5 | 13.0 | 12.4 | |
| | 35+60 | | | — | — | | | | | | | | | | |
| 50+50 | 3.85 | 3.85 | — | — | 1.8 | 7.7 | 7.9 | 700 | 2950 | 3080 | 13.5 | 13.0 | 12.4 | | |
| 50+60 | | | — | — | | | | | | | | | | | |
| 3 room | 22+22+22 | 2.20 | 2.20 | 2.20 | — | 2.4 | 6.6 | 8.4 | 850 | 2400 | 3100 | 11.0 | 10.5 | 10.1 | |
| | 22+22+25 | 2.20 | 2.20 | 2.50 | — | 2.4 | 6.9 | 8.4 | 850 | 2500 | 3100 | 11.5 | 11.0 | 10.5 | |
| | 22+22+28 | 2.17 | 2.17 | 2.76 | — | 2.4 | 7.1 | 8.4 | 850 | 2550 | 3100 | 11.7 | 11.2 | 10.7 | |
| | 22+22+35 | 2.12 | 2.12 | 3.37 | — | 2.4 | 7.6 | 8.4 | 850 | 2750 | 3100 | 12.6 | 12.1 | 11.6 | |
| | 22+22+50 | 1.83 | 1.83 | 4.15 | — | 2.6 | 7.8 | 8.4 | 950 | 2850 | 3100 | 13.1 | 12.5 | 12.0 | |
| | 22+22+60 | | | | — | | | | | | | | | | |
| | 22+25+25 | 2.17 | 2.47 | 2.47 | — | 2.4 | 7.1 | 8.4 | 850 | 2550 | 3100 | 11.7 | 11.2 | 10.7 | |
| | 22+25+28 | 2.11 | 2.40 | 2.69 | — | 2.4 | 7.2 | 8.4 | 850 | 2650 | 3100 | 12.2 | 11.6 | 11.2 | |
| | 22+25+35 | 2.07 | 2.35 | 3.29 | — | 2.4 | 7.7 | 8.4 | 850 | 2800 | 3100 | 12.9 | 12.3 | 11.8 | |
| | 22+25+50 | 1.77 | 2.01 | 4.02 | — | 2.6 | 7.8 | 8.4 | 950 | 2850 | 3100 | 13.1 | 12.5 | 12.0 | |
| | 22+25+60 | | | | — | | | | | | | | | | |
| | 22+28+28 | 2.09 | 2.66 | 2.66 | — | 2.4 | 7.4 | 8.4 | 850 | 2700 | 3100 | 12.4 | 11.9 | 11.4 | |
| | 22+28+35 | 2.02 | 2.57 | 3.21 | — | 2.4 | 7.8 | 8.4 | 850 | 2850 | 3100 | 13.1 | 12.5 | 12.0 | |
| | 22+28+50 | 1.72 | 2.18 | 3.90 | — | 2.6 | 7.8 | 8.4 | 950 | 2850 | 3100 | 13.1 | 12.5 | 12.0 | |
| | 22+28+60 | | | | — | | | | | | | | | | |
| | 22+35+35 | 1.87 | 2.97 | 2.97 | — | 2.4 | 7.8 | 8.4 | 850 | 2850 | 3100 | 13.1 | 12.5 | 12.0 | |
| | 22+35+50 | 1.60 | 2.55 | 3.64 | — | 2.6 | 7.8 | 8.4 | 950 | 2850 | 3100 | 13.1 | 12.5 | 12.0 | |
| | 22+35+60 | | | | — | | | | | | | | | | |
| | 22+50+50 | 1.41 | 3.20 | 3.20 | — | 2.8 | 7.8 | 8.4 | 1020 | 2850 | 3100 | 13.1 | 12.5 | 12.0 | |
| | 22+50+60 | | | | — | | | | | | | | | | |
| | 25+25+25 | 2.40 | 2.40 | 2.40 | — | 2.4 | 7.2 | 8.4 | 850 | 2650 | 3100 | 12.2 | 11.6 | 11.2 | |
| | 25+25+28 | 2.37 | 2.37 | 2.66 | — | 2.4 | 7.4 | 8.4 | 850 | 2700 | 3100 | 12.4 | 11.9 | 11.4 | |
| | 25+25+35 | 2.29 | 2.29 | 3.21 | — | 2.4 | 7.8 | 8.4 | 850 | 2850 | 3100 | 13.1 | 12.5 | 12.0 | |
| | 25+25+50 | 1.95 | 1.95 | 3.90 | — | 2.6 | 7.8 | 8.4 | 950 | 2850 | 3100 | 13.1 | 12.5 | 12.0 | |
| 25+25+60 | | | | — | | | | | | | | | | | |
| 25+28+28 | 2.31 | 2.59 | 2.59 | — | 2.4 | 7.5 | 8.4 | 850 | 2730 | 3100 | 12.5 | 12.0 | 11.5 | | |
| 25+28+35 | 2.22 | 2.48 | 3.10 | — | 2.4 | 7.8 | 8.4 | 850 | 2850 | 3100 | 13.1 | 12.5 | 12.0 | | |
| 25+28+50 | 1.89 | 2.12 | 3.79 | — | 2.6 | 7.8 | 8.4 | 950 | 2850 | 3100 | 13.1 | 12.5 | 12.0 | | |
| 25+28+60 | | | | — | | | | | | | | | | | |
| 25+35+35 | 2.05 | 2.87 | 2.87 | — | 2.4 | 7.8 | 8.4 | 850 | 2850 | 3100 | 13.1 | 12.5 | 12.0 | | |
| 25+35+50 | 1.77 | 2.48 | 3.55 | — | 2.6 | 7.8 | 8.4 | 950 | 2850 | 3100 | 13.1 | 12.5 | 12.0 | | |

| Indoor unit combination | | Cooling capacity (kW) | | | | | | | Power consumption (W) | | | Standard current (A) | | |
|-------------------------|-------------|----------------------------|--------|--------|--------|---------------------|----------|------|-----------------------|----------|------|----------------------|------|------|
| | | Room cooling capacity (kW) | | | | Total capacity (kW) | | | Min. | Standard | Max. | 220V | 230V | 240V |
| | | A room | B room | C room | D room | Min. | Standard | Max. | | | | | | |
| 3 room | 25+35+60 | | | | — | | | | | | | | | |
| | 25+50+50 | 1.56 | 3.12 | 3.12 | — | 2.8 | 7.8 | 8.4 | 1020 | 2850 | 3100 | 13.1 | 12.5 | 12.0 |
| | 28+28+28 | 2.53 | 2.53 | 2.53 | — | 2.4 | 7.6 | 8.4 | 850 | 2750 | 3100 | 12.6 | 12.1 | 11.6 |
| | 28+28+35 | 2.40 | 2.40 | 3.00 | — | 2.4 | 7.8 | 8.4 | 850 | 2850 | 3100 | 13.1 | 12.5 | 12.0 |
| | 28+28+50 | 2.06 | 2.06 | 3.68 | — | 2.6 | 7.8 | 8.4 | 950 | 2850 | 3100 | 13.1 | 12.5 | 12.0 |
| | 28+28+60 | | | | — | | | | | | | | | |
| | 28+35+35 | 2.23 | 2.79 | 2.79 | — | 2.4 | 7.8 | 8.4 | 850 | 2850 | 3100 | 13.1 | 12.5 | 12.0 |
| | 28+35+50 | 1.93 | 2.42 | 3.45 | — | 2.6 | 7.8 | 8.4 | 950 | 2850 | 3100 | 13.1 | 12.5 | 12.0 |
| | 28+35+60 | | | | — | | | | | | | | | |
| | 28+50+50 | 1.71 | 3.05 | 3.05 | — | 2.8 | 7.8 | 8.4 | 1020 | 2850 | 3100 | 13.1 | 12.5 | 12.0 |
| | 35+35+35 | 2.60 | 2.60 | 2.60 | — | 2.4 | 7.8 | 8.4 | 850 | 2850 | 3100 | 13.1 | 12.5 | 12.0 |
| | 35+35+50 | 2.28 | 2.28 | 3.25 | — | 2.6 | 7.8 | 8.4 | 950 | 2850 | 3100 | 13.1 | 12.5 | 12.0 |
| 35+35+60 | | | | — | | | | | | | | | | |
| 4 room | 22+22+22+22 | 1.93 | 1.93 | 1.93 | 1.93 | 3.4 | 7.7 | 9.3 | 1080 | 2500 | 3200 | 11.5 | 11.0 | 10.5 |
| | 22+22+22+25 | 1.86 | 1.86 | 1.86 | 2.12 | 3.4 | 7.7 | 9.3 | 1080 | 2500 | 3200 | 11.5 | 11.0 | 10.5 |
| | 22+22+22+28 | 1.80 | 1.80 | 1.80 | 2.29 | 3.4 | 7.7 | 9.3 | 1080 | 2500 | 3200 | 11.5 | 11.0 | 10.5 |
| | 22+22+22+35 | 1.70 | 1.70 | 1.70 | 2.70 | 3.4 | 7.8 | 9.3 | 1080 | 2550 | 3200 | 11.7 | 11.2 | 10.7 |
| | 22+22+22+50 | 1.50 | 1.50 | 1.50 | 3.41 | 3.6 | 7.9 | 9.3 | 1150 | 2600 | 3200 | 11.9 | 11.4 | 10.9 |
| | 22+22+22+60 | | | | | | | | | | | | | |
| | 22+22+25+25 | 1.80 | 1.80 | 2.05 | 2.05 | 3.4 | 7.7 | 9.3 | 1080 | 2500 | 3200 | 11.5 | 11.0 | 10.5 |
| | 22+22+25+28 | 1.75 | 1.75 | 1.98 | 2.22 | 3.4 | 7.7 | 9.3 | 1080 | 2500 | 3200 | 11.5 | 11.0 | 10.5 |
| | 22+22+25+35 | 1.65 | 1.65 | 1.88 | 2.63 | 3.4 | 7.8 | 9.3 | 1080 | 2550 | 3200 | 11.7 | 11.2 | 10.7 |
| | 22+22+25+50 | 1.46 | 1.46 | 1.66 | 3.32 | 3.6 | 7.9 | 9.3 | 1150 | 2600 | 3200 | 11.9 | 11.4 | 10.9 |
| | 22+22+25+60 | | | | | | | | | | | | | |
| | 22+22+28+28 | 1.69 | 1.69 | 2.16 | 2.16 | 3.4 | 7.7 | 9.3 | 1080 | 2500 | 3200 | 11.5 | 11.0 | 10.5 |
| | 22+22+28+35 | 1.60 | 1.60 | 2.04 | 2.55 | 3.4 | 7.8 | 9.3 | 1080 | 2550 | 3200 | 11.7 | 11.2 | 10.7 |
| | 22+22+28+50 | 1.42 | 1.42 | 1.81 | 3.24 | 3.6 | 7.9 | 9.3 | 1150 | 2600 | 3200 | 11.9 | 11.4 | 10.9 |
| | 22+22+28+60 | | | | | | | | | | | | | |
| | 22+22+35+35 | 1.51 | 1.51 | 2.39 | 2.39 | 3.4 | 7.8 | 9.3 | 1080 | 2550 | 3200 | 11.7 | 11.2 | 10.7 |
| | 22+22+35+50 | 1.35 | 1.35 | 2.14 | 3.06 | 3.6 | 7.9 | 9.3 | 1150 | 2600 | 3200 | 11.9 | 11.4 | 10.9 |
| | 22+22+35+60 | | | | | | | | | | | | | |
| | 22+25+25+25 | 1.75 | 1.98 | 1.98 | 1.98 | 3.4 | 7.7 | 9.3 | 1080 | 2500 | 3200 | 11.5 | 11.0 | 10.5 |
| | 22+25+25+28 | 1.69 | 1.93 | 1.93 | 2.16 | 3.4 | 7.7 | 9.3 | 1080 | 2500 | 3200 | 11.5 | 11.0 | 10.5 |
| | 22+25+25+35 | 1.60 | 1.82 | 1.82 | 2.55 | 3.4 | 7.8 | 9.3 | 1080 | 2550 | 3200 | 11.7 | 11.2 | 10.7 |
| | 22+25+25+50 | 1.42 | 1.62 | 1.62 | 3.24 | 3.6 | 7.9 | 9.3 | 1150 | 2600 | 3200 | 11.9 | 11.4 | 10.9 |
| | 22+25+25+60 | | | | | | | | | | | | | |
| | 22+25+28+28 | 1.67 | 1.89 | 2.12 | 2.12 | 3.4 | 7.8 | 9.3 | 1080 | 2550 | 3200 | 11.7 | 11.2 | 10.7 |
| | 22+25+28+35 | 1.56 | 1.77 | 1.99 | 2.48 | 3.4 | 7.8 | 9.3 | 1080 | 2550 | 3200 | 11.7 | 11.2 | 10.7 |
| | 22+25+28+50 | 1.39 | 1.58 | 1.77 | 3.16 | 3.6 | 7.9 | 9.3 | 1150 | 2600 | 3200 | 11.9 | 11.4 | 10.9 |
| | 22+25+35+35 | 1.49 | 1.69 | 2.36 | 2.36 | 3.4 | 7.9 | 9.3 | 1080 | 2600 | 3200 | 11.9 | 11.4 | 10.9 |
| | 22+25+35+50 | 1.32 | 1.50 | 2.09 | 2.99 | 3.6 | 7.9 | 9.3 | 1150 | 2600 | 3200 | 11.9 | 11.4 | 10.9 |
| | 22+28+28+28 | 1.62 | 2.06 | 2.06 | 2.06 | 3.4 | 7.8 | 9.3 | 1080 | 2550 | 3200 | 11.7 | 11.2 | 10.7 |
| | 22+28+28+35 | 1.52 | 1.93 | 1.93 | 2.42 | 3.4 | 7.8 | 9.3 | 1080 | 2550 | 3200 | 11.7 | 11.2 | 10.7 |
| | 22+28+28+50 | 1.36 | 1.73 | 1.73 | 3.09 | 3.6 | 7.9 | 9.3 | 1150 | 2600 | 3200 | 11.9 | 11.4 | 10.9 |
| | 22+28+35+35 | 1.45 | 1.84 | 2.30 | 2.30 | 3.4 | 7.9 | 9.3 | 1080 | 2600 | 3200 | 11.9 | 11.4 | 10.9 |
| | 22+35+35+35 | 1.37 | 2.18 | 2.18 | 2.18 | 3.4 | 7.9 | 9.3 | 1080 | 2600 | 3200 | 11.9 | 11.4 | 10.9 |
| | 25+25+25+25 | 1.93 | 1.93 | 1.93 | 1.93 | 3.4 | 7.7 | 9.3 | 1080 | 2500 | 3200 | 11.5 | 11.0 | 10.5 |
| | 25+25+25+28 | 1.89 | 1.89 | 1.89 | 2.12 | 3.4 | 7.8 | 9.3 | 1080 | 2550 | 3200 | 11.7 | 11.2 | 10.7 |
| | 25+25+25+35 | 1.77 | 1.77 | 1.77 | 2.48 | 3.4 | 7.8 | 9.3 | 1080 | 2550 | 3200 | 11.7 | 11.2 | 10.7 |
| 25+25+25+50 | 1.58 | 1.58 | 1.58 | 3.16 | 3.6 | 7.9 | 9.3 | 1150 | 2600 | 3200 | 11.9 | 11.4 | 10.9 | |
| 25+25+28+28 | 1.84 | 1.84 | 2.06 | 2.06 | 3.4 | 7.8 | 9.3 | 1080 | 2550 | 3200 | 11.7 | 11.2 | 10.7 | |
| 25+25+28+35 | 1.73 | 1.73 | 1.93 | 2.42 | 3.4 | 7.8 | 9.3 | 1080 | 2550 | 3200 | 11.7 | 11.2 | 10.7 | |
| 25+25+28+50 | 1.54 | 1.54 | 1.73 | 3.09 | 3.6 | 7.9 | 9.3 | 1150 | 2600 | 3200 | 11.9 | 11.4 | 10.9 | |
| 25+25+35+35 | 1.65 | 1.65 | 2.30 | 2.30 | 3.4 | 7.9 | 9.3 | 1080 | 2600 | 3200 | 11.9 | 11.4 | 10.9 | |
| 28+28+28+28 | 1.95 | 1.95 | 1.95 | 1.95 | 3.4 | 7.8 | 9.3 | 1080 | 2550 | 3200 | 11.7 | 11.2 | 10.7 | |
| 28+28+28+35 | 1.86 | 1.86 | 1.86 | 2.32 | 3.4 | 7.9 | 9.3 | 1080 | 2600 | 3200 | 11.9 | 11.4 | 10.9 | |
| 28+28+28+50 | 1.67 | 1.67 | 1.67 | 2.99 | 3.6 | 8.0 | 9.3 | 1150 | 2650 | 3200 | 12.2 | 11.6 | 11.2 | |
| 28+28+35+35 | 1.76 | 1.76 | 2.19 | 2.19 | 3.4 | 7.9 | 9.3 | 1080 | 2600 | 3200 | 11.9 | 11.4 | 10.9 | |
| 28+35+35+35 | 1.66 | 2.08 | 2.08 | 2.08 | 3.4 | 7.9 | 9.3 | 1080 | 2600 | 3200 | 11.9 | 11.4 | 10.9 | |

2.2 Range of usage & limitations

| Item | | Model | SCM45ZD-S | SCM60ZD-S | SCM80ZD-S |
|-------------------------------------------------------|----------------------------------|----------------------------------------------------------|--------------|--------------|-----------|
| | | | | | |
| Indoor intake air temperature (Upper, lower limits) | | Refer to the selection chart. | | | |
| Outdoor air temperature (Upper, lower limits) | | | | | |
| Indoor units that can be used in combination | Number of connected units | 1 to 2 units | 2 to 3 units | 3 to 4 units | |
| | Total of indoor Units (class kW) | 7.0kW | 10.6kW | 13.4kW | |
| Total length for all rooms | | Max. 30m | Max. 40m | Max. 70m | |
| Length for one indoor unit | | Max. 25m | | | |
| Difference in height between indoor and outdoor units | When above outdoor unit (B) | Max. 10m | | Max. 15m | |
| | When below outdoor unit (A) | Max. 15m | | | |
| Difference in height between indoor units (C) | | Max. 25m | | | |
| Compressor stop/start frequency | 1 cycle time | 6 min or more (from stop to stop or from start to start) | | | |
| | Stop time | 3 min or more | | | |
| Power source voltage | Voltage fluctuation | Within $\pm 10\%$ of rated voltage | | | |
| | Voltage drop during start | Within $\pm 15\%$ of rated voltage | | | |
| | Interval unbalance | Within $\pm 3\%$ of rated voltage | | | |

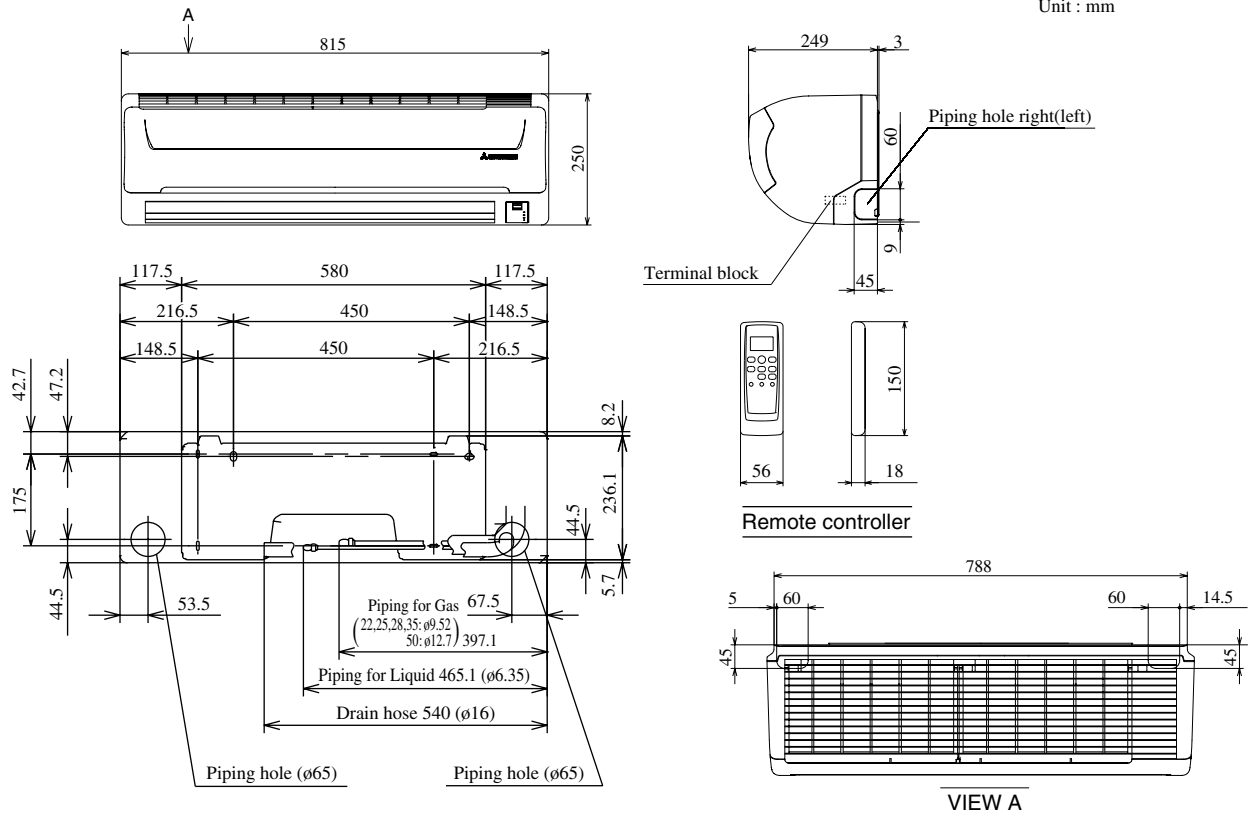


2.3 Exterior dimensions

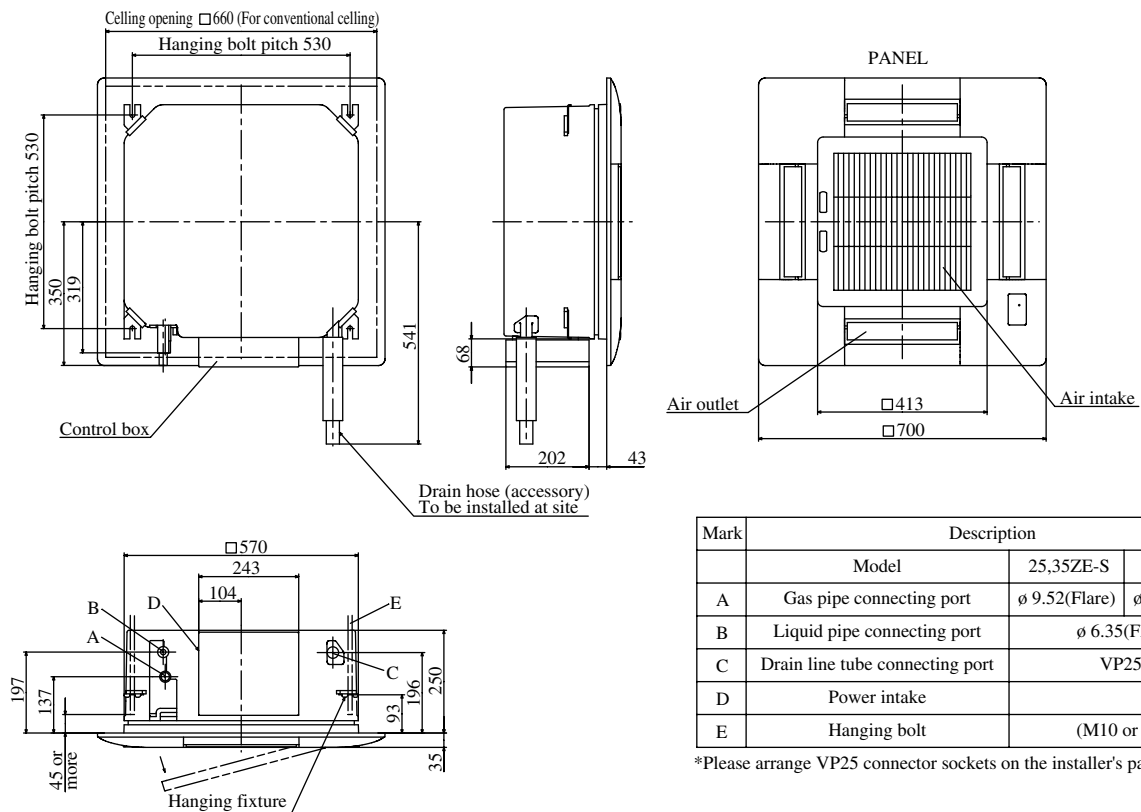
(1) Indoor unit

Models SKM22ZD-S, 25ZD-S, 28ZD-S, 35ZD-S, 50ZD-S

Unit : mm



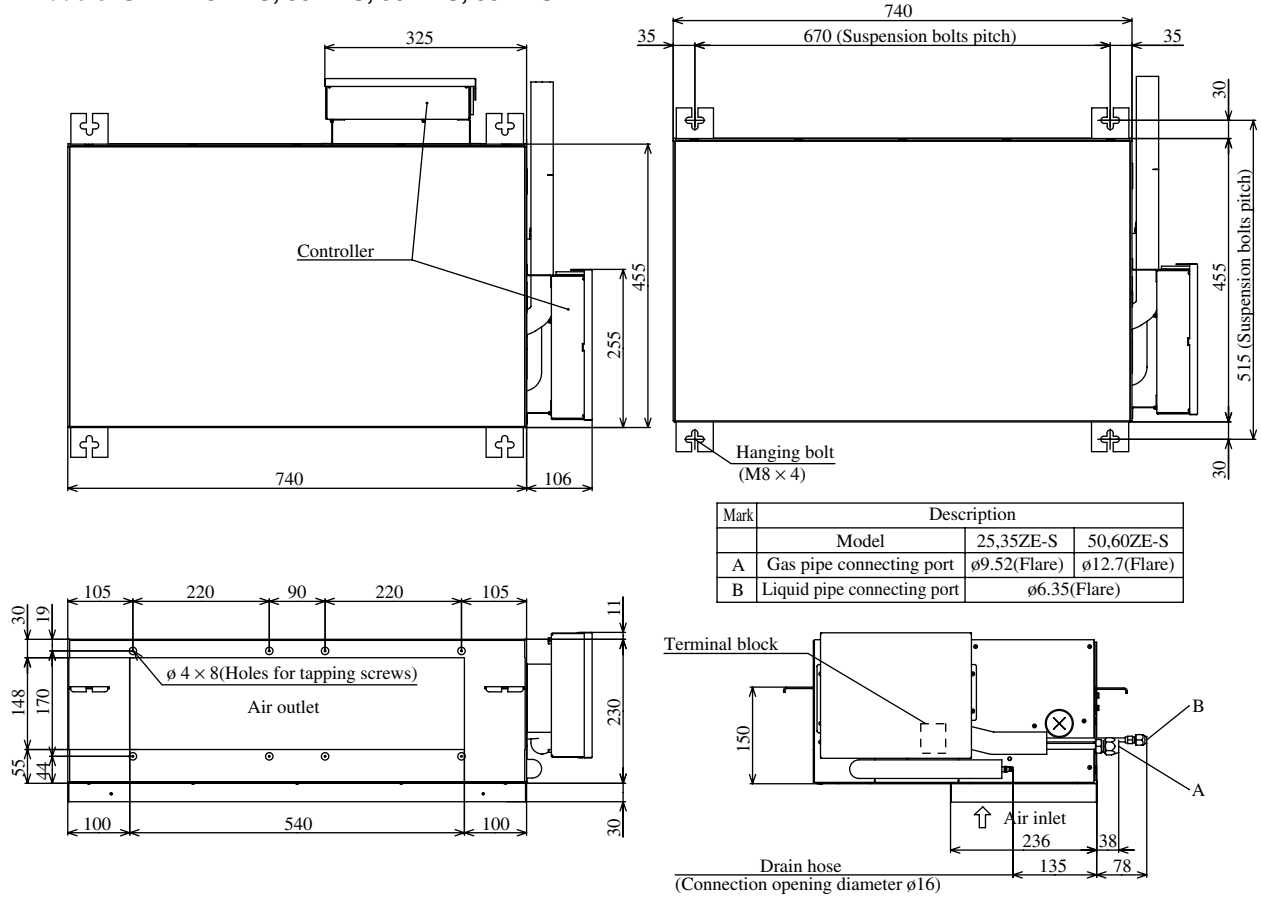
Models STM25ZE-S, 35ZE-S, 50ZE-S, 60ZE-S



| Mark | Description | | |
|------|---------------------------------|---------------------|---------------------|
| | Model | 25,35ZE-S | 50,60ZE-S |
| A | Gas pipe connecting port | $\phi 9.52$ (Flare) | $\phi 12.7$ (Flare) |
| B | Liquid pipe connecting port | $\phi 6.35$ (Flare) | |
| C | Drain line tube connecting port | VP25* | |
| D | Power intake | | |
| E | Hanging bolt | (M10 or M8) | |

*Please arrange VP25 connector sockets on the installer's part.

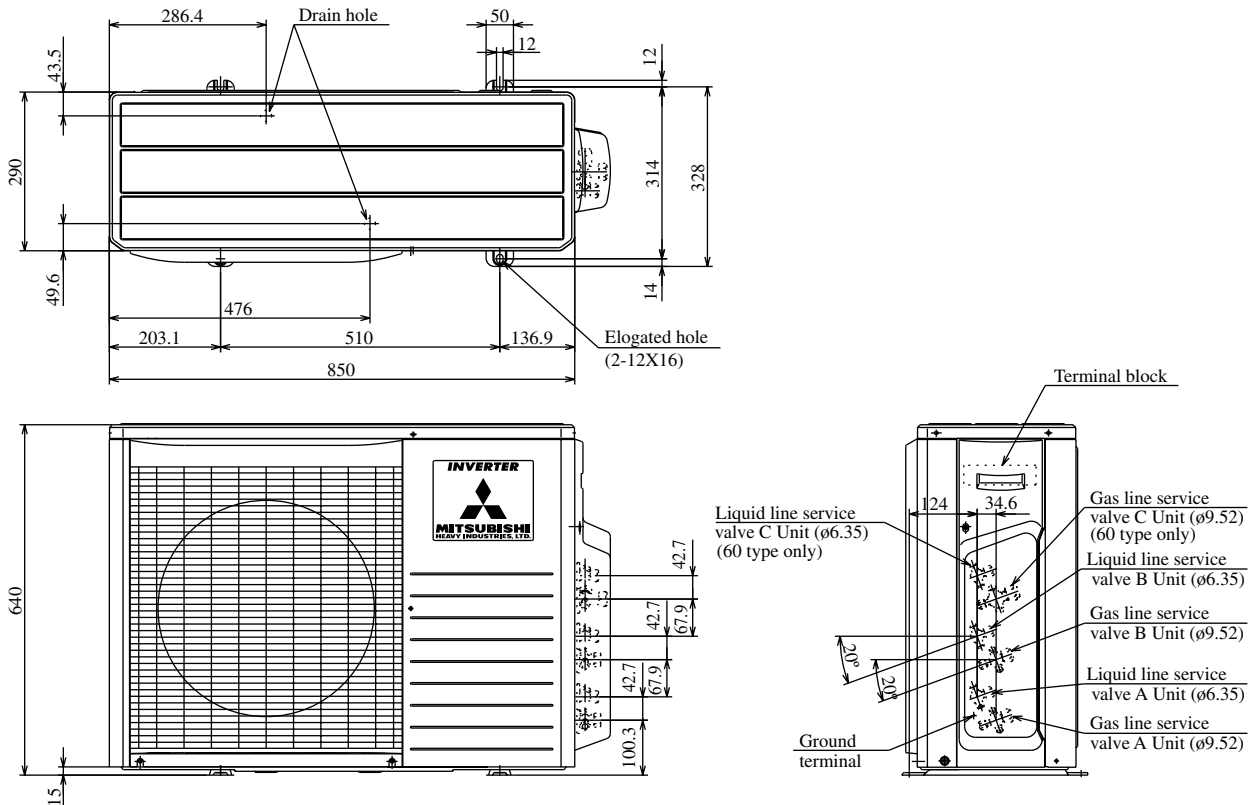
Models SRRM25ZE-S, 35ZE-S, 50ZE-S, 60ZE-S



(2) Outdoor unit

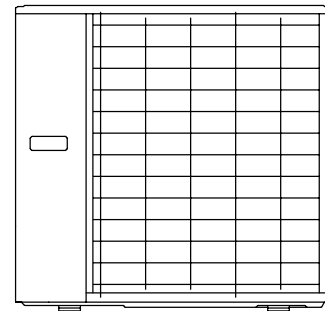
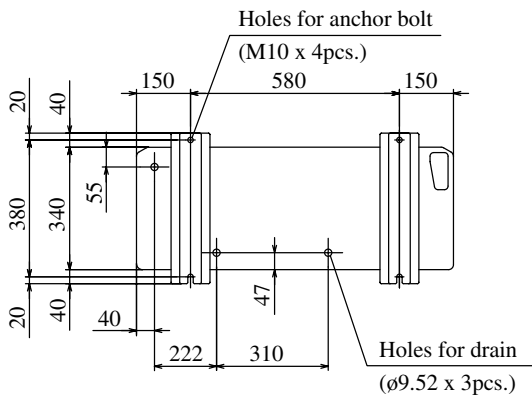
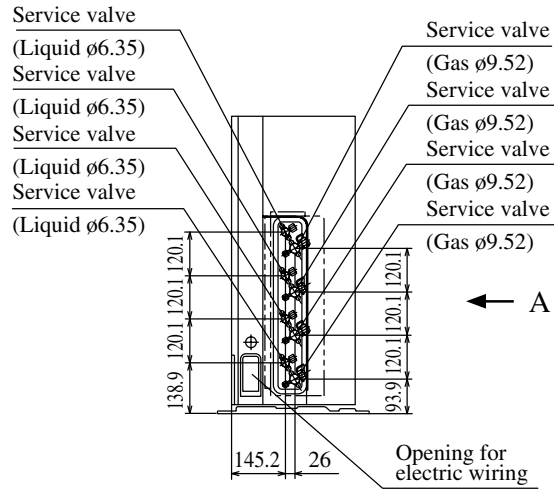
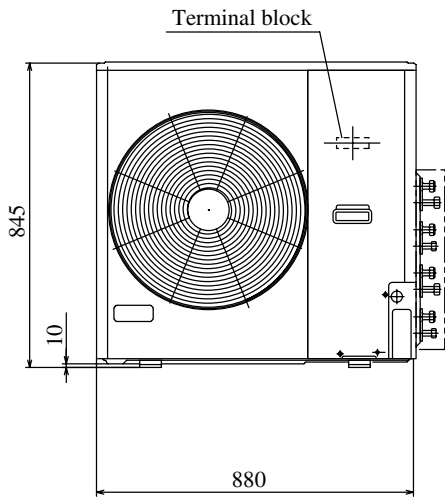
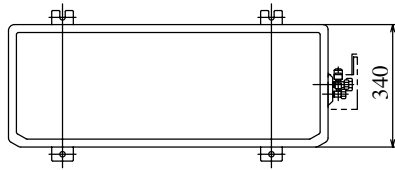
Models SCM45ZD-S, 60ZD-S

Unit : mm



Model SCM80ZD-S

Unit : mm

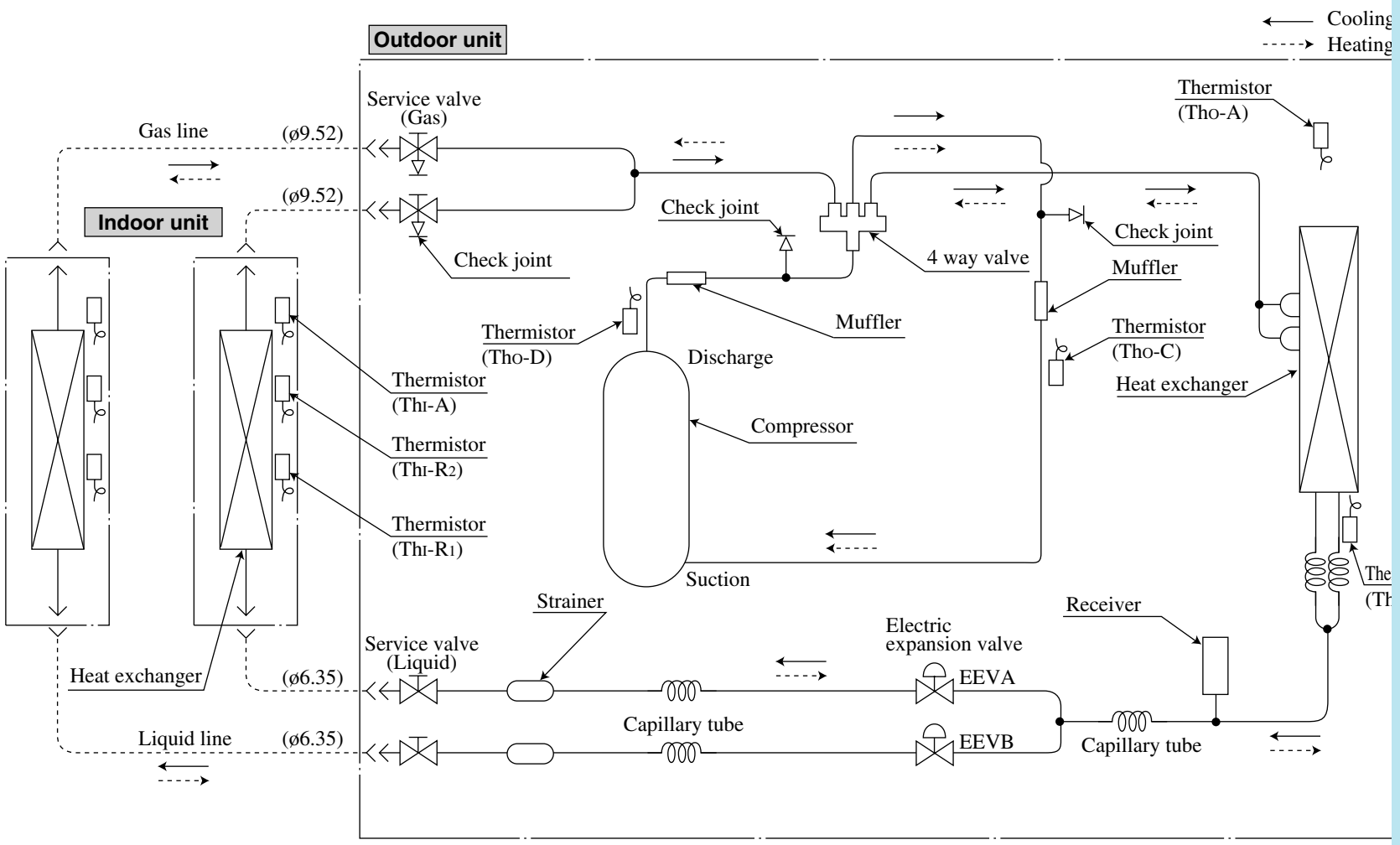


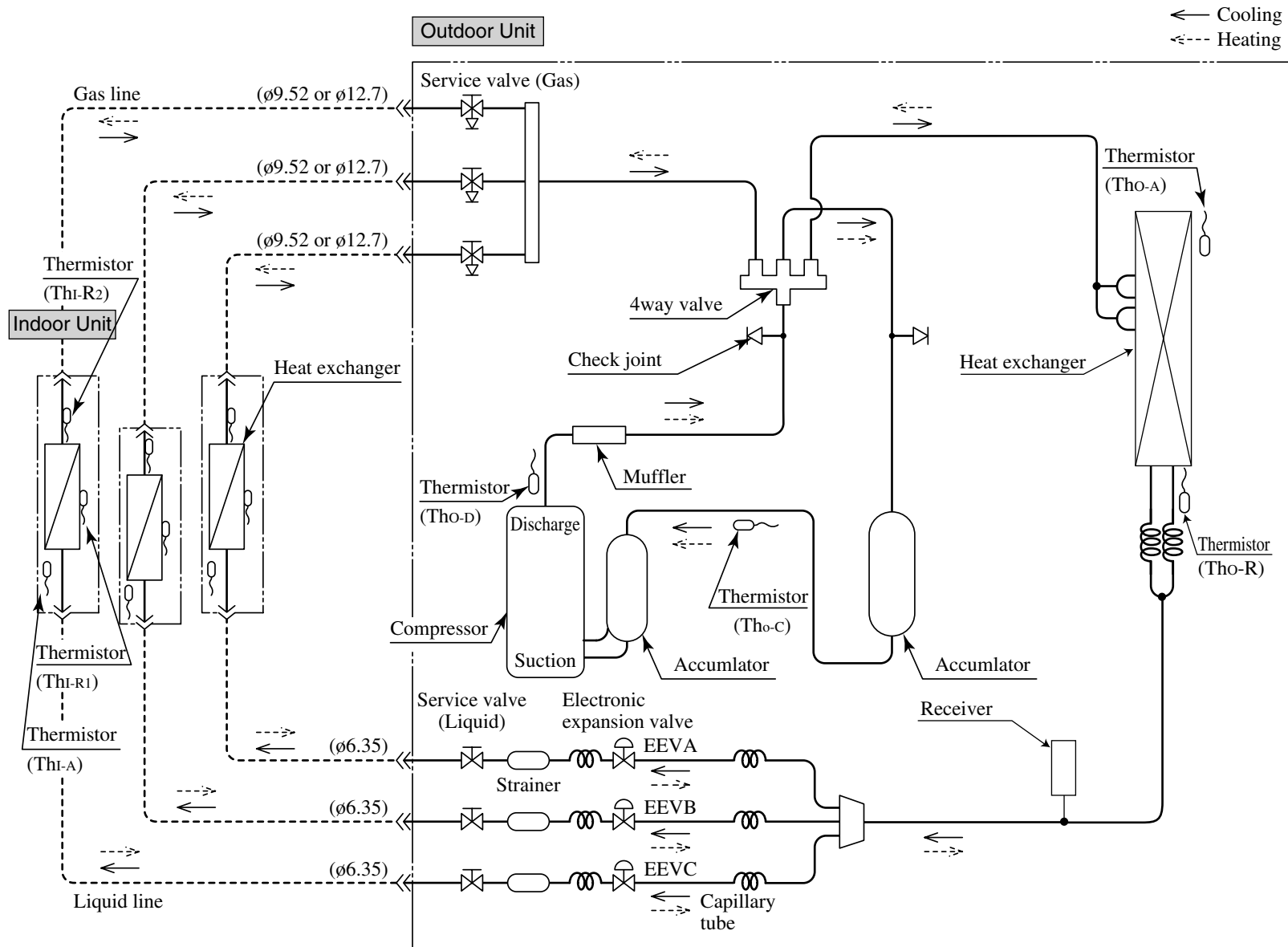
VIEW A

2.4 Piping system

Model SCM45ZD-S

Все каталоги и инструкции здесь: <http://splitoff.ru/tehn-doc.html>



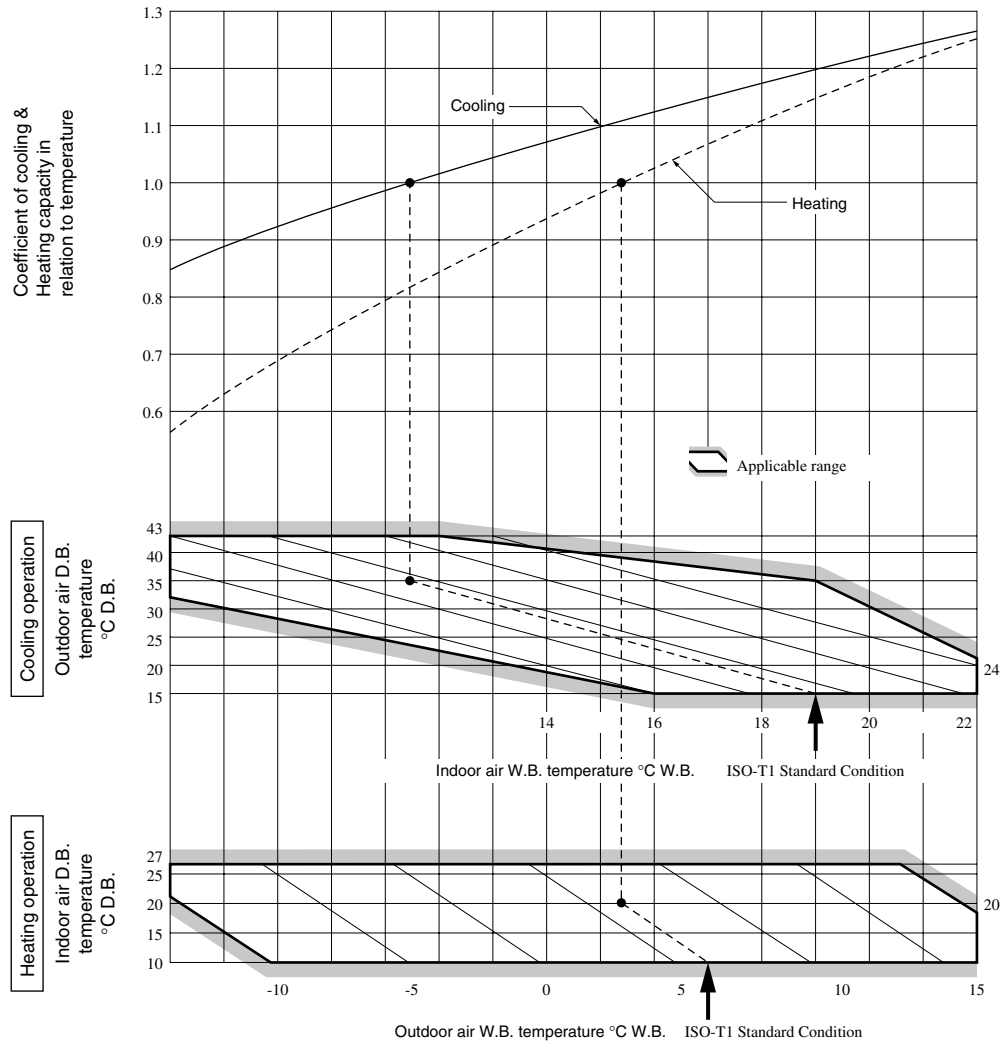


Gas line 22, 25, 28, 35 type: ø9.52
 50, 60 type : ø12.7

2.5 Selection chart

Correct the cooling and heating capacity in accordance with the conditions as follows. The net cooling and heating capacity can be obtained in the following way.

Все каталоги и инструкции здесь: <http://splitoff.ru/tehn-doc.html>



(2) Correction of cooling and heating capacity in relation to one way length of refrigerant piping

It is necessary to correct the cooling and heating capacity in relation to the one way piping length between the indoor and outdoor units.

| Piping length [m] | 7 | 10 | 15 | 20 | 25 |
|-------------------|-----|------|-------|-------|------|
| Cooling | 1.0 | 0.99 | 0.975 | 0.965 | 0.95 |
| Heating | 1.0 | 1.0 | 1.0 | 1.0 | 1.0 |

(3) Correction relative to frosting on outdoor heat exchanger during heating

In additions to the foregoing corrections (1), (2) the heating capacity needs to be adjusted also with respect to the frosting on the outdoor heat exchanger.

| Air inlet temperature of outdoor unit in °CWB | -10 | -9 | -7 | -5 | -3 | -1 | 1 | 3 | 5 |
|-----------------------------------------------|------|------|------|------|------|------|------|------|------|
| Adjustment coefficient | 0.95 | 0.94 | 0.93 | 0.91 | 0.88 | 0.86 | 0.87 | 0.92 | 1.00 |

3 ELECTRICAL DATA

Meaning of marks

• Outdoor Unit

Все каталоги и инструкции здесь: <http://splitoff.ru/tehn-doc.html>

| | | | |
|-----|---------------------|-------|-----------------------------------|
| FMo | Fan motor | 20S | 4 way valve (coil) |
| CFo | Capacitor (for FMo) | Tho-A | Thermistor (outdoor air temp.) |
| L | Reactor | Tho-R | Thermistor (outdoor H.X temp.) |
| DS1 | Diode stack | Tho-D | Thermistor (discharge pipe temp.) |
| Q11 | Power transistor | Tho-C | Thermistor (suction pipe temp.) |

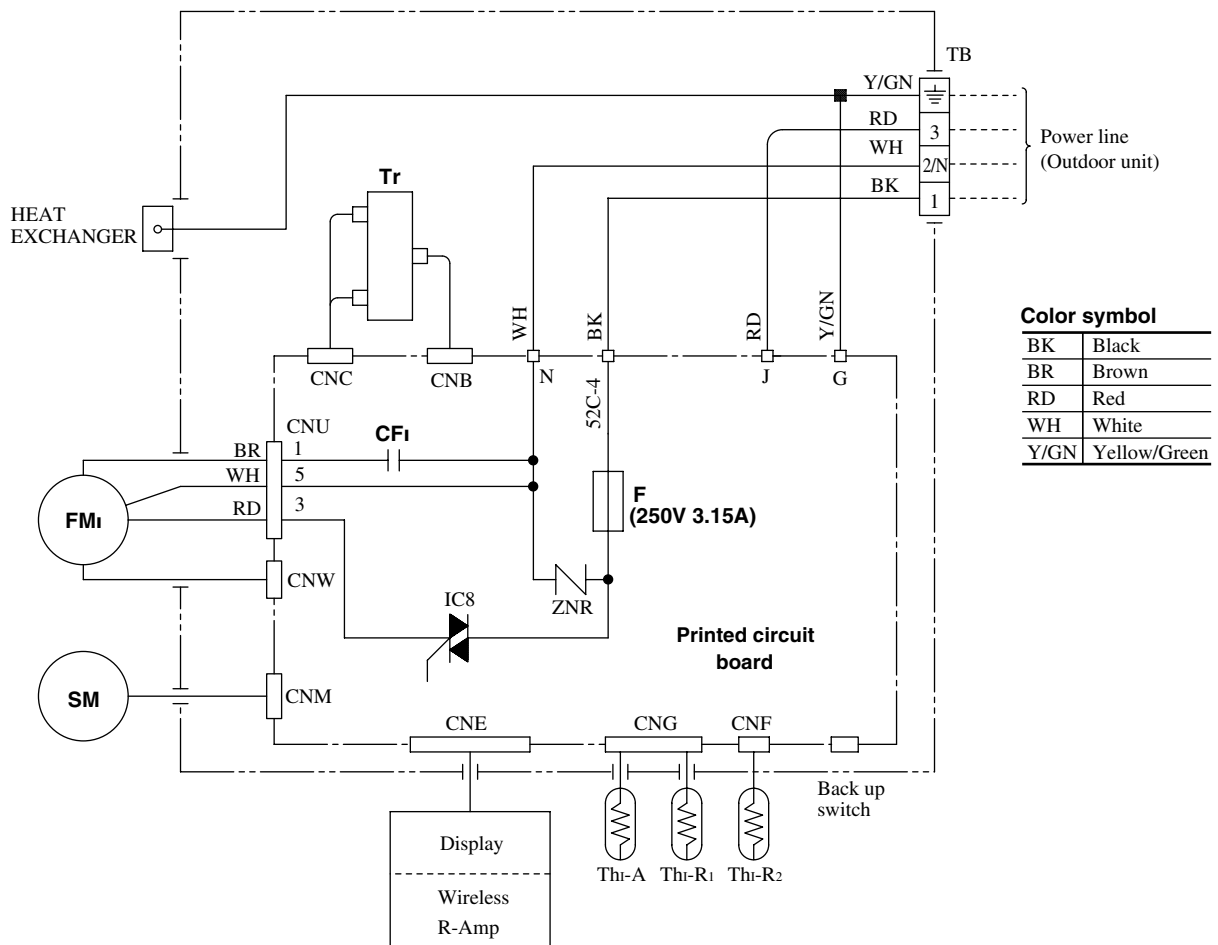
• Indoor Unit

| Symbol | Parts name | Symbol | Parts name |
|--------|---------------------|--------|-------------------------------|
| FMi | Fan motor | DM | Drain motor |
| CFi | Capacitor (for FMi) | FS | Float switch |
| SM | Flap motor | Thi-A | Thermistor (room temp.) |
| Tr | Transformer | Thi-R1 | Thermistor (indoor H.X temp.) |
| ZNR | Varistor | Thi-R2 | Thermistor (indoor H.X temp.) |
| F | Fuse | | |

3.1 Electrical wiring

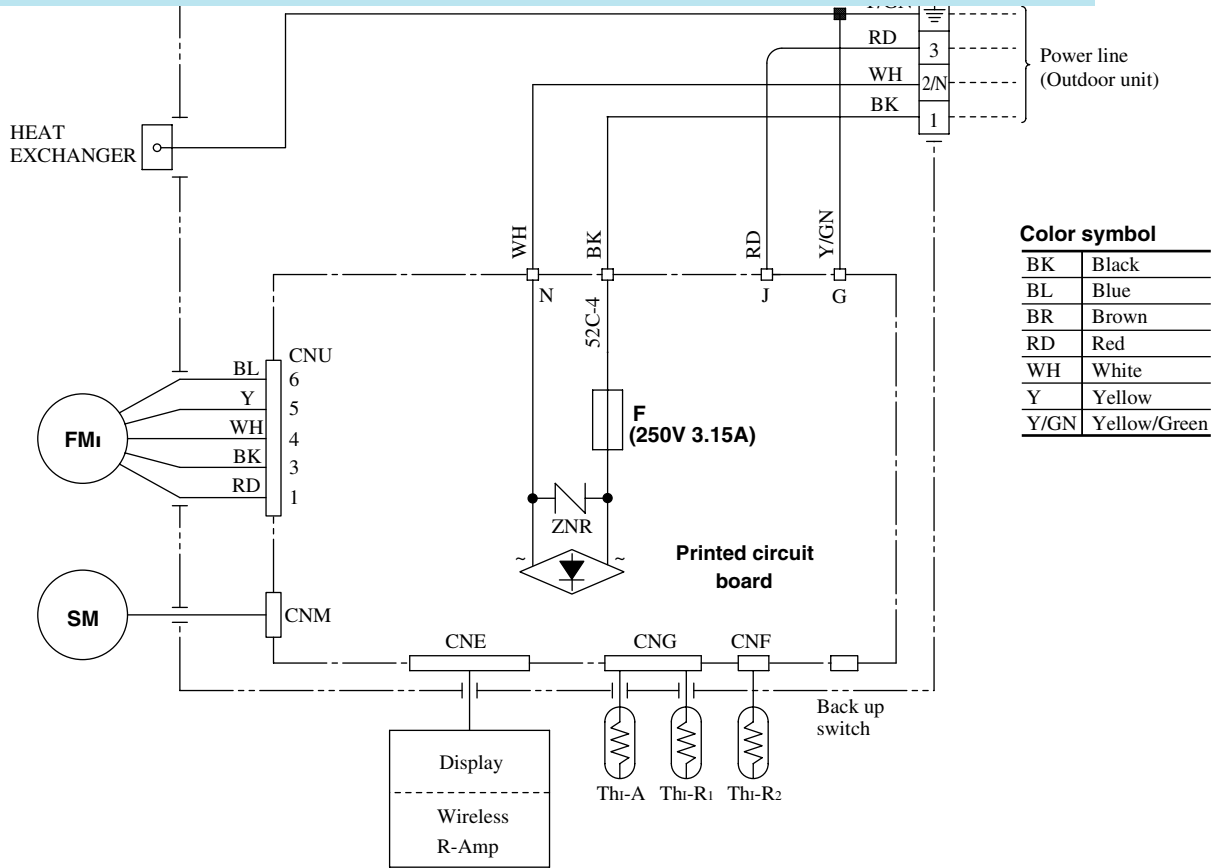
(1) Indoor unit

Models SKM22ZD-S, 25ZD-S, 28ZD-S, 35ZD-S



Model SKM50ZD-S

Все каталоги и инструкции здесь: <http://splitoff.ru/tehn-doc.html>

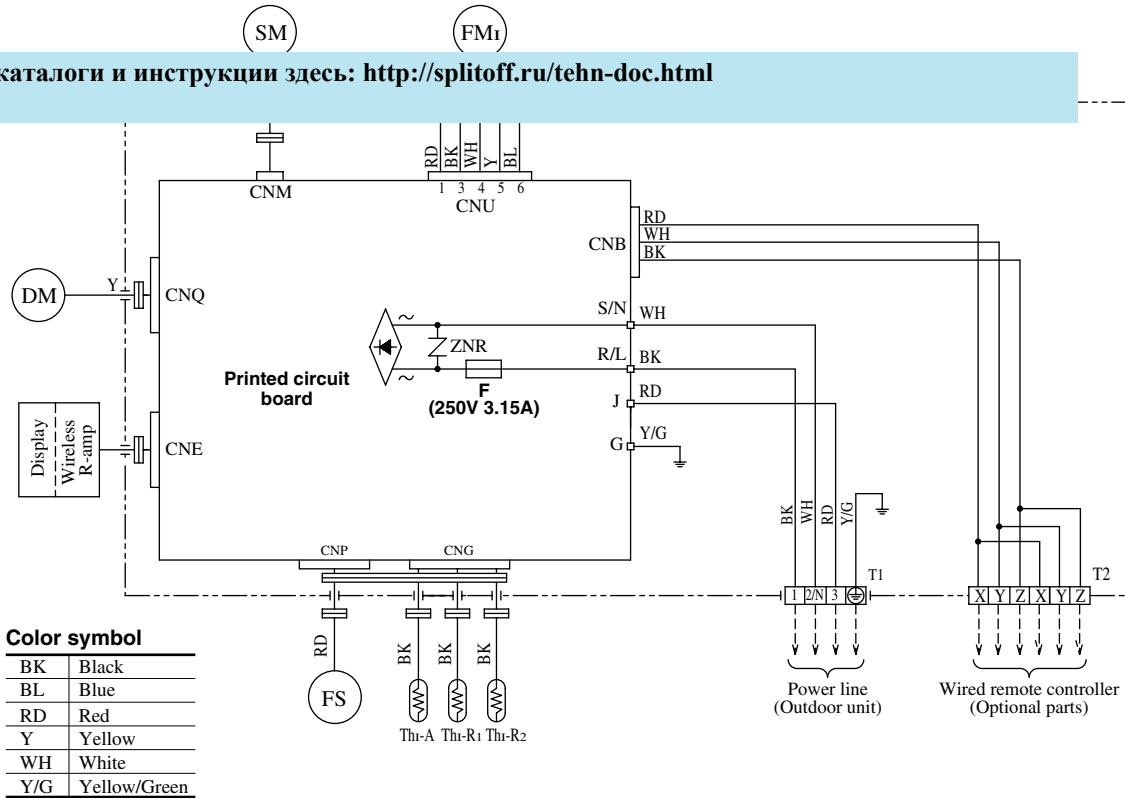


Color symbol

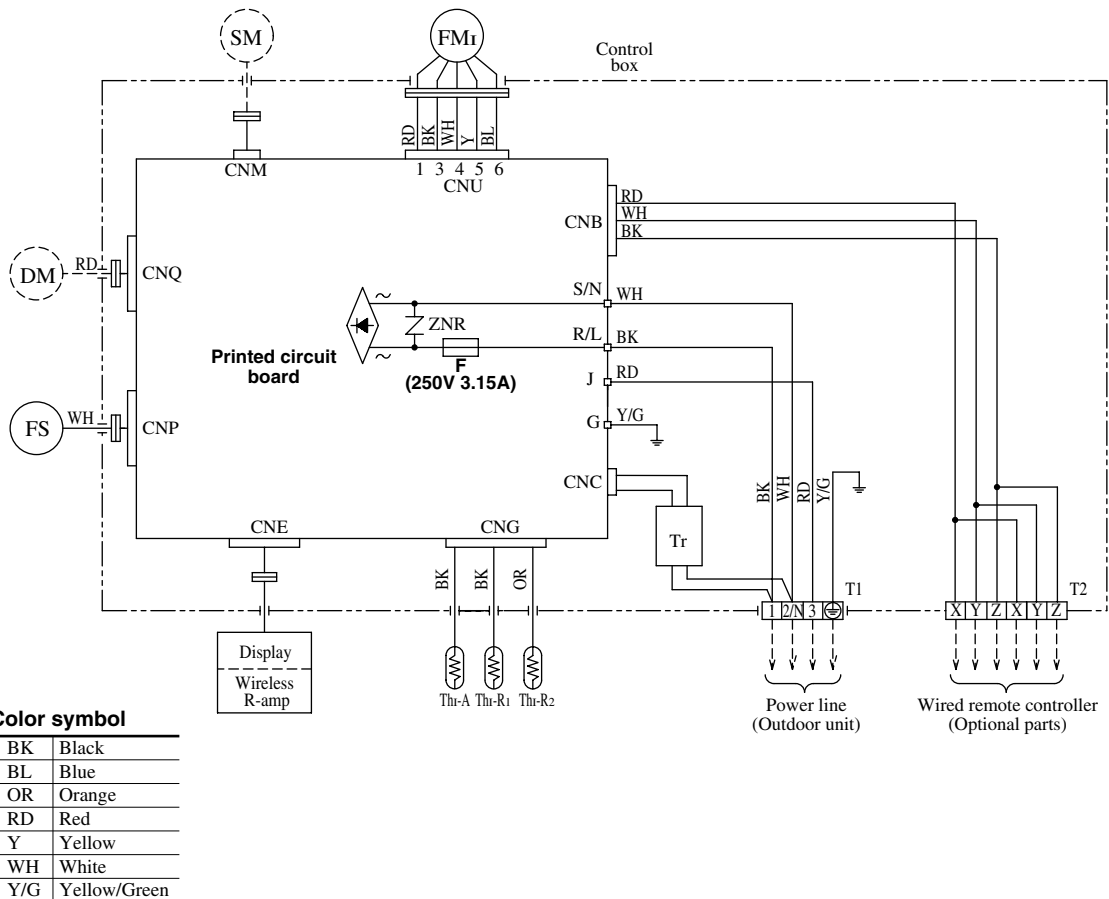
| | |
|------|--------------|
| BK | Black |
| BL | Blue |
| BR | Brown |
| RD | Red |
| WH | White |
| Y | Yellow |
| Y/GN | Yellow/Green |

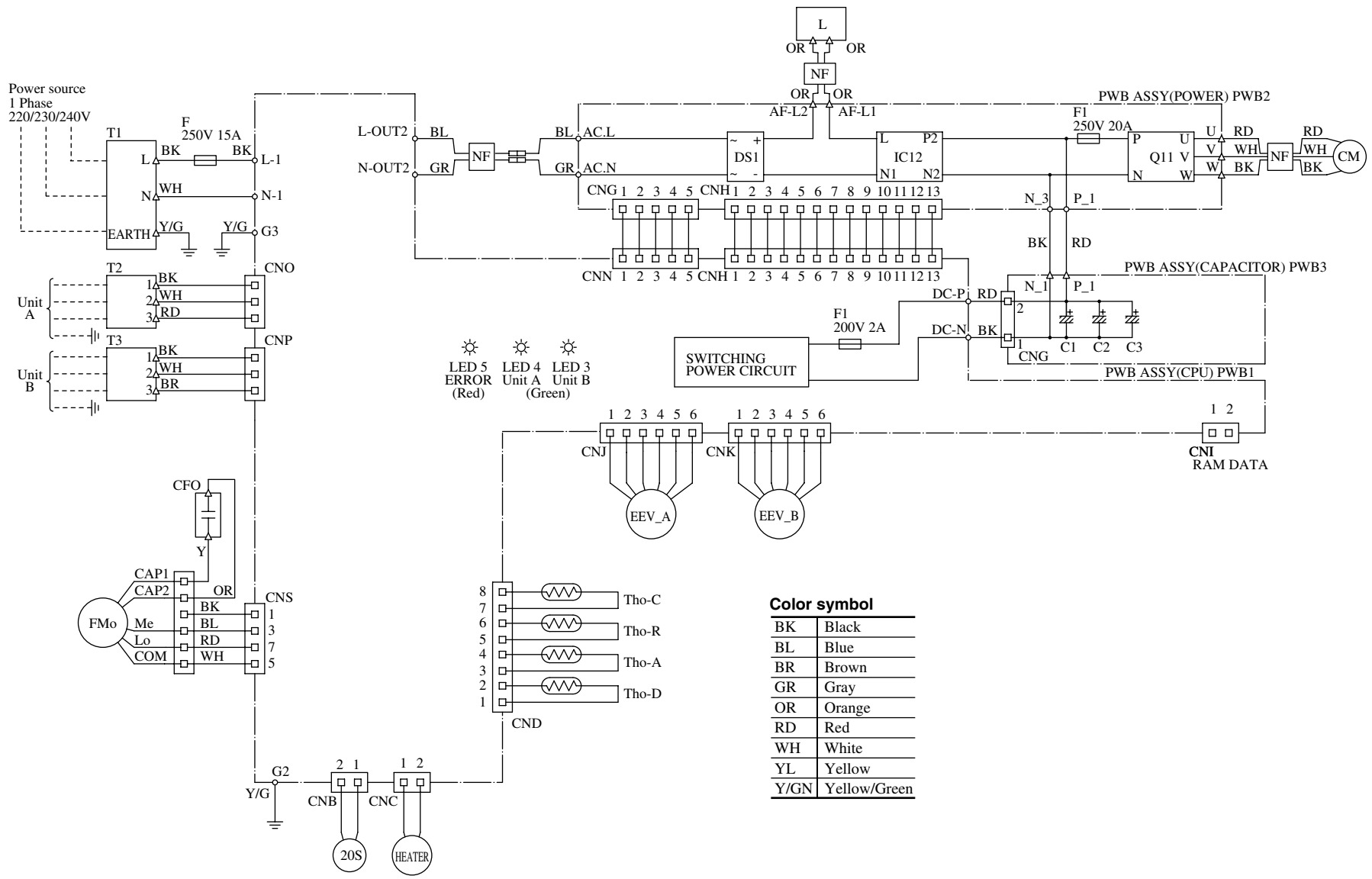
Models STM25ZE-S, 35ZE-S, 50ZE-S, 60ZE-S

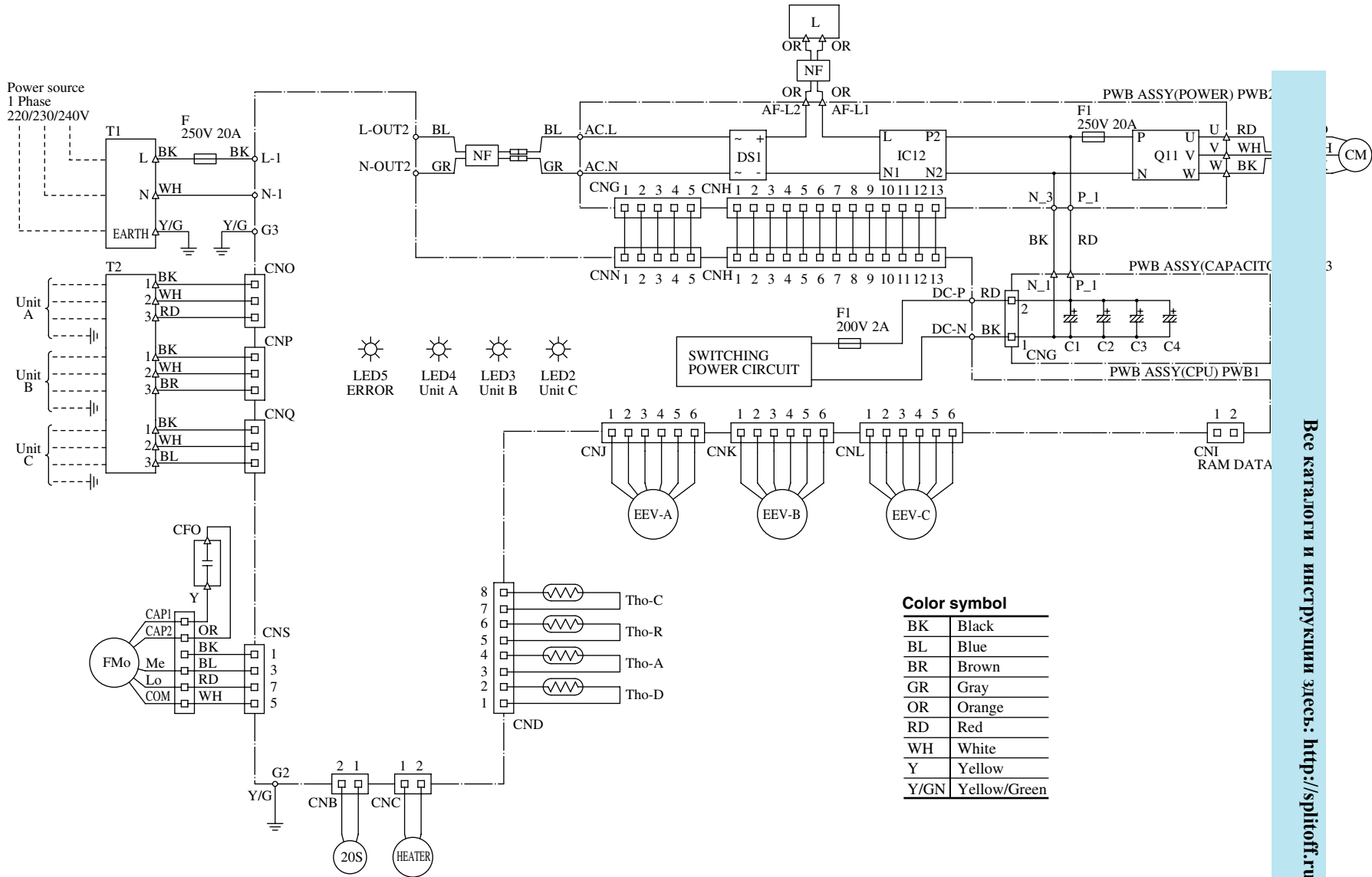
Все каталоги и инструкции здесь: <http://splitoff.ru/tehn-doc.html>



Models SRRM25ZE-S, 35ZE-S, 50ZE-S, 60ZE-S



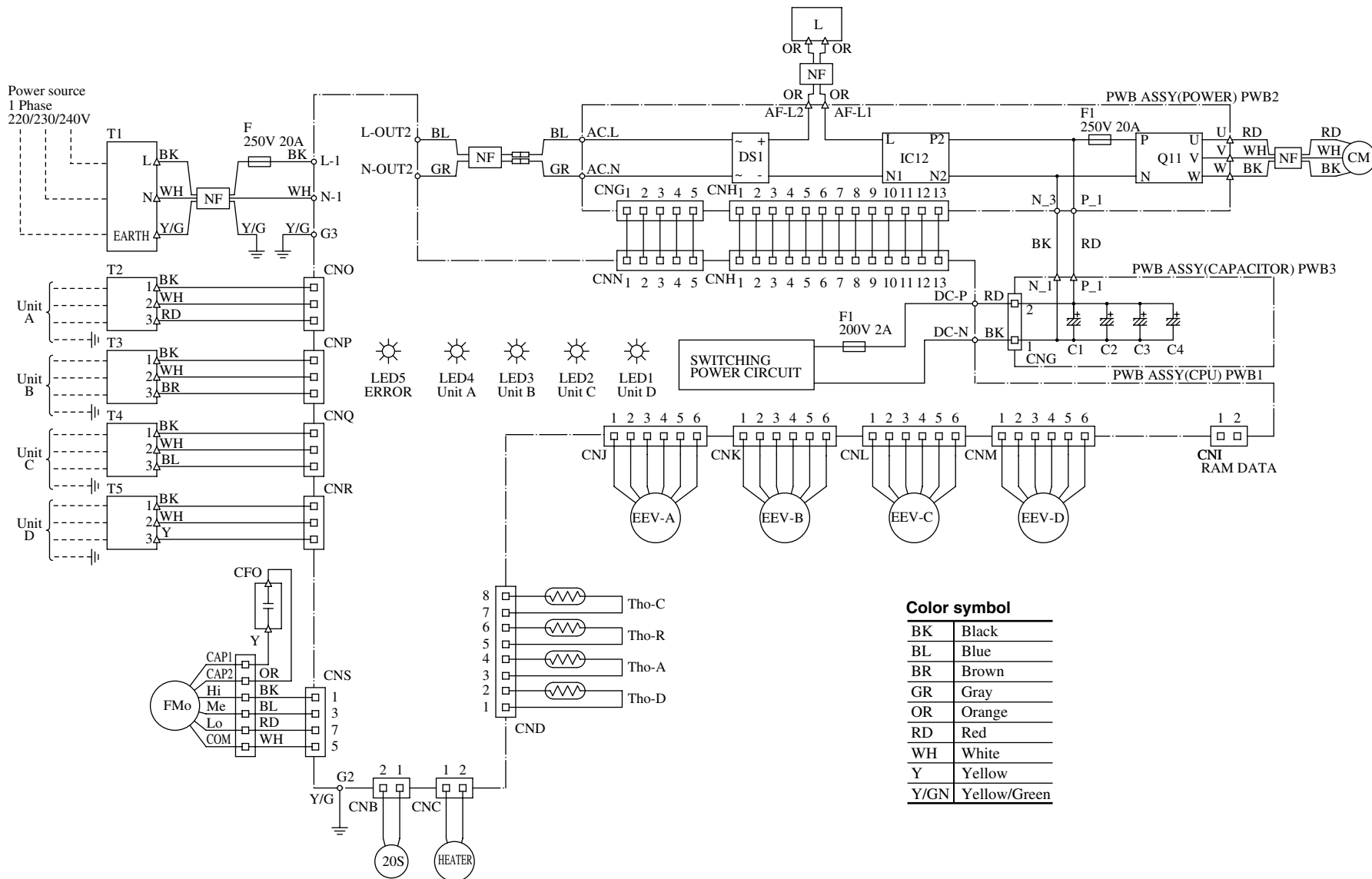




Color symbol

| | |
|------|--------------|
| BK | Black |
| BL | Blue |
| BR | Brown |
| GR | Gray |
| OR | Orange |
| RD | Red |
| WH | White |
| Y | Yellow |
| Y/GN | Yellow/Green |

Все каталоги и инструкции здесь: <http://splitoff.ru/teh-doc.html>



Color symbol

| | |
|------|--------------|
| BK | Black |
| BL | Blue |
| BR | Brown |
| GR | Gray |
| OR | Orange |
| RD | Red |
| WH | White |
| Y | Yellow |
| Y/GN | Yellow/Green |

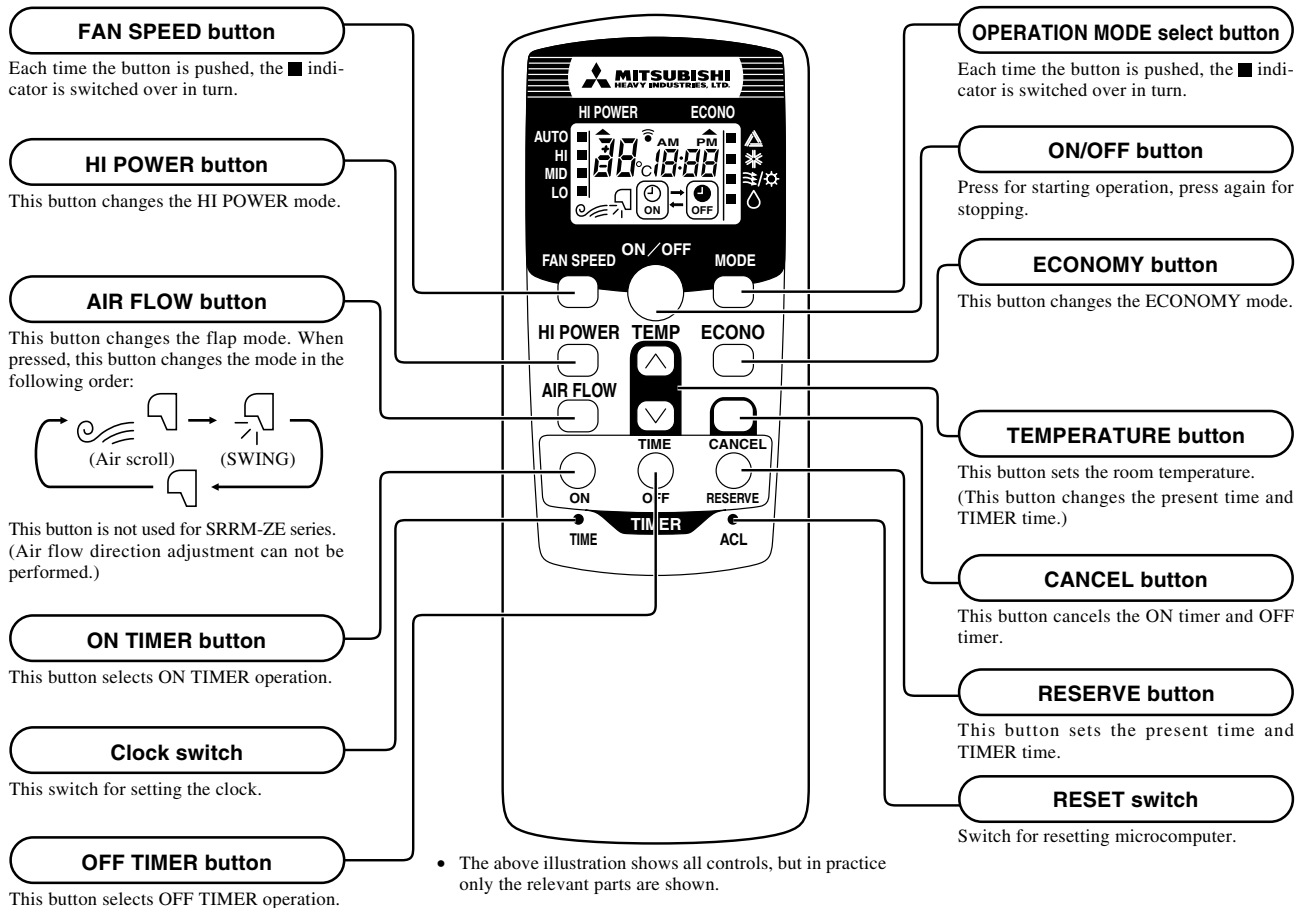
4 OUTLINE OF OPERATION CONTROL BY MICROCOMPUTER

4.1 Operation control function by remote control switch

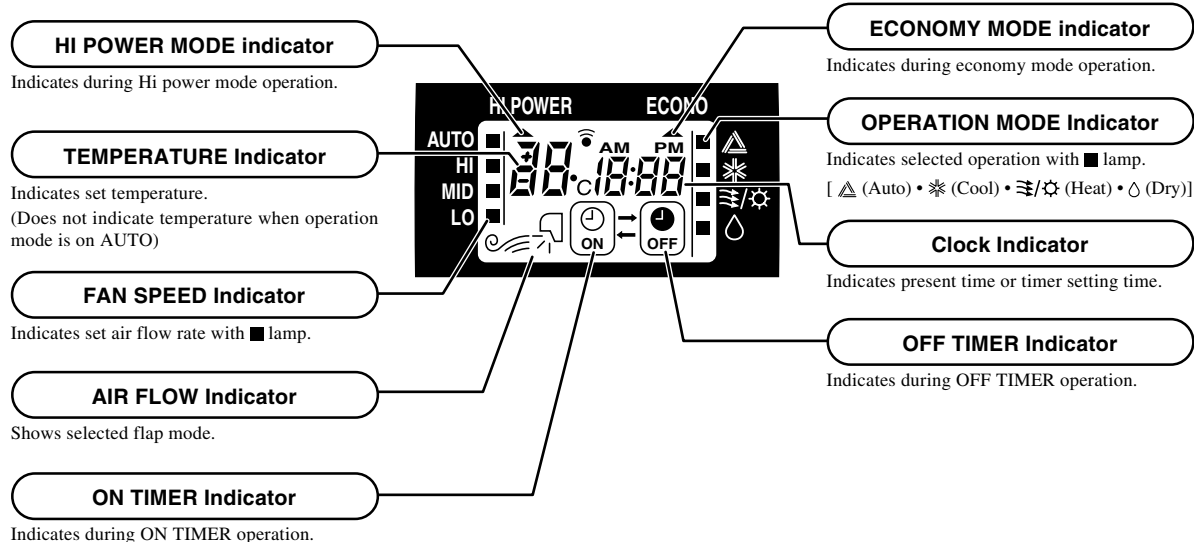
Remote controller

Models All models

◆ Operation section

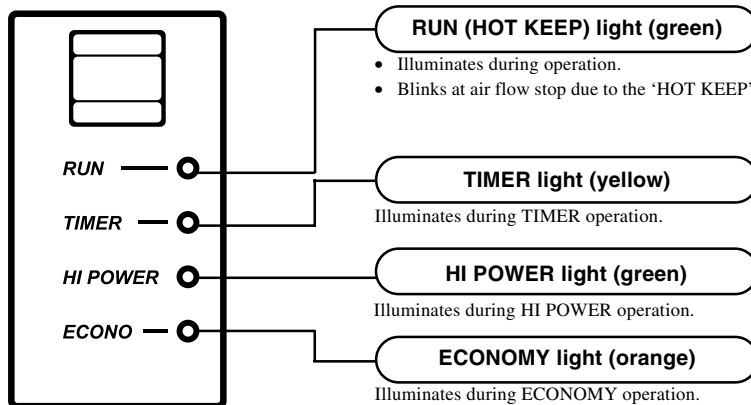


◆ Indication section

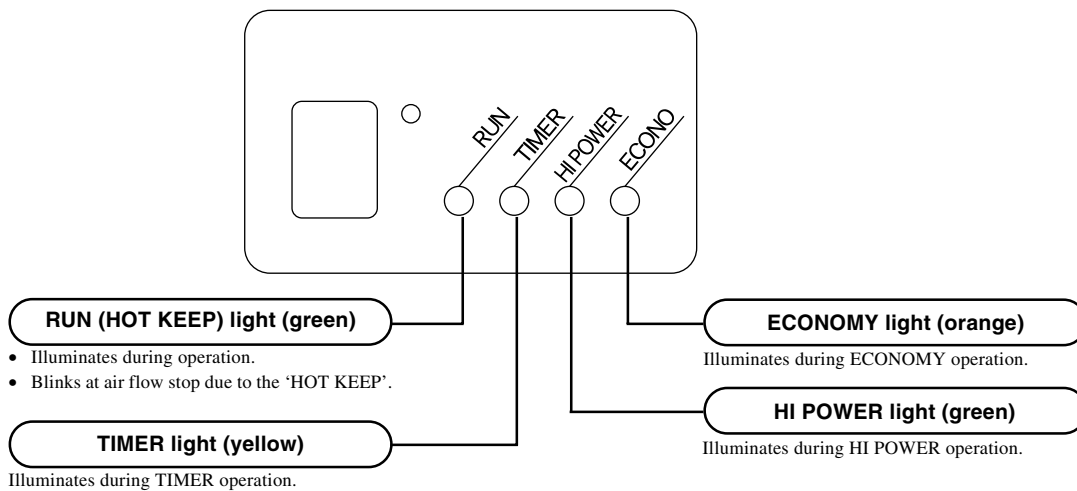


Unit indication section

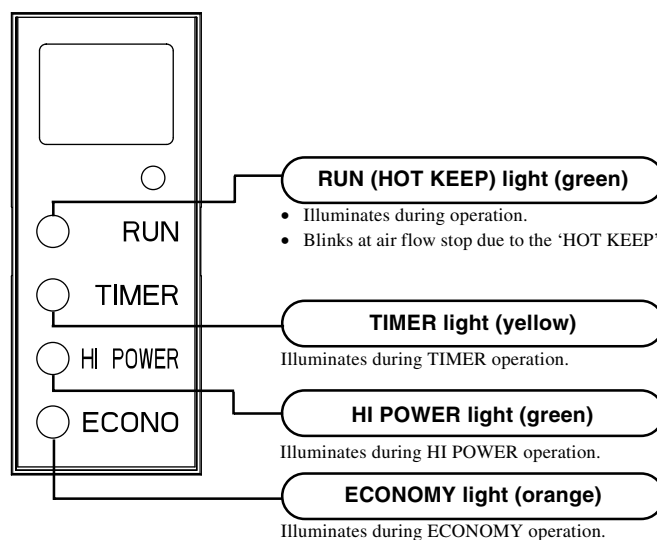
Models SKM22ZD-S, 25ZD-S, 28ZD-S, 35ZD-S, 50ZD-S



Models STM25ZE-S, 35ZE-S, 50ZE-S, 60ZE-S



Models SRRM25ZE-S, 35ZE-S, 50ZE-S, 60ZE-S



5 INSTALLATION

R410A refrigerant is used for this air-conditioner. Execute the installation work while taking care of the following points in addition to the general caution items.

5.1 Installation tools

Prepare the following special tools for R410A in addition to the general-purpose tools.

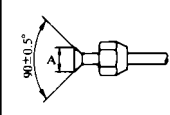
- Flare tool
- Gauge manifold
- Charge hose
- Vacuum pump adaptor
- Leak detector

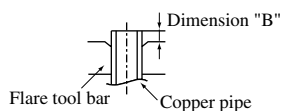
5.2 Refrigerant piping

- Use the copper pipe that has less than 40 mg/10 m of oil adhesion and 0.8 mm of wall thickness. Never use the thin walled pipe the thickness of which is less than 0.8 mm.
- Use the flare nut attached to the air-conditioner.

5.3 Pipe connection

(1) Pipe working

| | | | |
|------------------------------------------------------------------------------------|------------------|-------|--------------------|
|  | Copper pipe dia. | | Dimension "A" (mm) |
| | Liquid side | ø6.35 | 9.1 |
| | Gas side | ø9.52 | 13.2 |
| ø12.7 | | 16.6 | |



| | |
|------------------|----------------------------------|
| Copper pipe dia. | Dimension "B" (mm) |
| | Clutch type flare tool for R410A |
| ø6.35 | 0.0 ~ 0.5 |
| ø9.52 | 0.0 ~ 0.5 |
| ø12.7 | 0.0 ~ 0.5 |

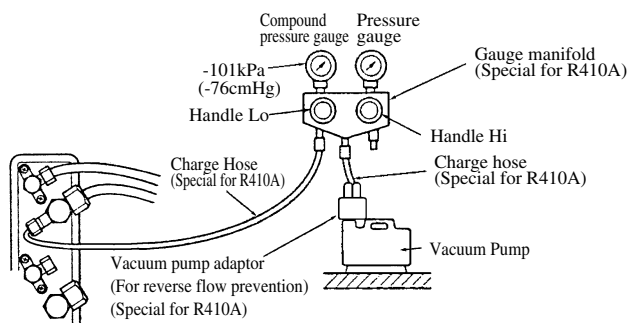
(2) Tightening torque

- The tightening torque is shown below.

| Copper pipe dia. | | Across flats of flare nut (mm) | Tightening torque N·m (kgf·m) |
|------------------|-------|--------------------------------|-------------------------------|
| Liquid side | ø6.35 | 17 | 14 ~ 18 (1.4 ~ 1.8) |
| Gas side | ø9.52 | 22 | 33 ~ 42 (3.3 ~ 4.2) |
| | ø12.7 | 24 | 50 ~ 62 (5.0 ~ 6.2) |

(3) Vacuuming

- The charge hose for R22 cannot be connected because the service port diameter is different from the conventional one. Use the special charge hose for R410A.
- Use the vacuum pump adapter for reverse flow prevention to check the reverse flow of vacuum pump oil. If oil flows back to the air-conditioner, it causes failure of refrigerant cycle.



PARTS LIST (Main parts)

(1) Indoor unit

| No. | Parts Name | Parts No. | | |
|-----|-------------------------|-------------|-------------|-------------|
| | | SKM22ZD-S | SKM25ZD-S | SKM28ZD-S |
| 1 | PANEL ASSY, FRONT | RKV102A600A | | |
| 2 | PANEL, FRONT | RKV122A001B | | |
| 3 | PANEL ASSY, AIR INLET | RKV435A100B | | |
| 4 | GRILLE ASSY, AIR OUTLET | RKV435A101B | | |
| 5 | MOTOR, AC | SSA511J218 | | |
| 6 | IMPELLER | SSA431G042C | | |
| 7 | HEAT EXCH ASSY (AIR) | RKV301A500D | | |
| 8 | PWB ASSY | RKV505A500C | RKV505A500D | RKV505A500F |
| 9 | CONTROL ASSY, REMOTE | RMA502A001 | | |

| No. | Parts Name | Parts No. | |
|-----|------------------------|-------------|-------------|
| | | SKM35ZD-S | SKM50ZD-S |
| 1 | PANEL ASSY,FRONT | RKV102A600A | RKV102A600C |
| 2 | PANEL,FRONT | RKV122A001B | RKV122A001H |
| 3 | PANEL ASSY,AIR INLET | RKV435A100B | |
| 4 | GRILLE ASSY,AIR OUTLET | RKV435A101B | |
| 5 | MOTOR,AC | SSA511J218 | - |
| 6 | MOTOR,DC | - | SSA512T064 |
| 7 | IMPELLER | SSA431G042C | |
| 8 | HEAT EXCH ASSY(AIR) | RKV301A500D | RKV301A102B |
| 9 | PWB ASSY | RKV505A500G | RKV505A001N |
| 10 | CONTROL ASSY,REMOTE | RMA502A001 | |

| No. | Parts Name | Parts No. | | | |
|-----|----------------------|-------------|-------------|-------------|-------------|
| | | STM25ZE-S | STM35ZE-S | STM50ZE-S | STM60ZE-S |
| 1 | CABINET ASSY | RJA100A760A | | | |
| 2 | FAN, TURBO | SSA431J018 | | | |
| 3 | MOTOR, DC | SSA512T074 | | | |
| 4 | PUMP ASSY, DRAIN | PJA451A505P | | | |
| 5 | SWITCH ASSY, FLOAT | PJA536A700B | | | |
| 6 | HEAT EXCH ASSY(AIR) | RJH301A002 | | RJH301A001 | |
| 7 | PWB ASSY | RKW505A200T | RKW505A200W | RKW505A200Y | RKW505A200Z |
| 8 | CONTROL ASSY, REMOTE | RMA502A001 | | | |
| 9 | PANEL, FRONT | PJA122A752 | | | |
| 10 | LOUVER ASSY, BLOW | PJA436A750 | | | |
| 11 | MOTOR, STEPPING | SSA512T045 | | | |
| 12 | GRILLE, AIR INLET | PJA435A751 | | | |

| No. | Parts Name | Parts No. | | | |
|-----|----------------------|-------------|-------------|-------------|-------------|
| | | SRRM25ZE-S | SRRM35ZE-S | SRRM50ZE-S | SRRM60ZE-S |
| 1 | CABINET ASSY | RJD121A001B | | | |
| 2 | PANEL ASSY, REAR | RJD125A001 | | | |
| 3 | MOTOR, DC | SSA512T069B | | | |
| 4 | IMPELLER | SSA431D088 | | | |
| 5 | SCROLL ASSY | RJD433B001 | | | |
| 6 | HEAT EXCH ASSY(AIR) | RJD301A101 | | RJD301A102 | |
| 7 | PWB ASSY | RKW505A200M | RKW505A200P | RKW505A200R | RKW505A200S |
| 8 | SWITCH, FLOAT | SSA536A017Y | | | |
| 9 | CONTROL ASSY, REMOTE | RMA502A001 | | | |

PARTS LIST (Main parts)

(2) Outdoor unit

| No. | Parts Name | Parts No. | | |
|-----|---------------------|-------------|-------------|--------------|
| | | SCM45ZD-S | SCM60ZD-S | SCM80ZD-S |
| 1 | PANEL,FRONT | RWC122A003 | | PCA122A027AH |
| 2 | PANEL,SIDE(R) | RWC123A003B | RWC123A003A | - |
| 3 | PANEL,SIDE(L) | RWC123A002 | | - |
| 4 | PANEL, TOP | RWC124A003B | | PCA124A007 |
| 5 | GRILLE,AIR OUTLET | RWC435A002 | | - |
| 6 | GUARD,FAN | - | | PCA131A021 |
| 7 | GUARD,FIN | RWC131A004 | | PCA131A017 |
| 8 | BRACKET,MOTOR | RWC116A041A | | - |
| 9 | BASE,MOTOR | - | | PCA116A092N |
| 10 | MOTOR,AC | SSA511B816 | SSA511B817 | SSA511T163C |
| 11 | PROPELLER | SSA431B233 | | SSA431B209 |
| 12 | BASE ASSY | RWC111A003B | RWC111A003F | RPC111A850 |
| 13 | HEAT EXCH(AIR) | RPC311A851 | | RPC311A853 |
| 14 | VALVE,S(4WAY) | SSA382C078 | | |
| 15 | COIL,SOLENOID | SSA382F027B | | |
| 16 | COMPRESSOR ASSY | RSA201A001A | PCA201A048A | |
| 17 | PWB ASSY(MAIN) | RPC505A850 | RPC505A850A | RPC505A850B |
| 18 | PWB ASSY(POWER) | RPC505A851 | RPC505A851A | |
| 19 | PWB ASSY(CAPACITOR) | RPC505A852 | RPC505A852A | |
| 20 | VALVE,BODY(EXP) | SSA387F031 | | |
| 21 | COIL,SOLENOID | SSA382F210C | | SSA382F210F |
| 22 | COIL,SOLENOID | SSA382F210D | | SSA382F210K |
| 23 | COIL,SOLENOID | - | SSA382F210F | SSA382F210L |
| 24 | COIL,SOLENOID | - | | SSA382F210M |

INVERTER MULTI-SPLIT SYSTEM ROOM AIR-CONDITIONER



Air-Conditioning & Refrigeration Systems Headquarters
16-5, 2-chome, Kounan, Minato-ku, Tokyo, 108-8215, Japan
Fax: (03) 6716-5926



**Большая библиотека технической документации
<http://splitoff.ru/tehn-doc.html>
каталоги, инструкции, сервисные мануалы, схемы.**